

Shark STRATOS™ XL Pet Pro Powered Lift-Away™ with Odour Neutraliser Technology

AZ913ANZ SERIES


INSTRUCTIONS



THANK YOU


for purchasing the Shark Stratos™ XL Pet Pro Powered Lift-away™ with Odour Neutraliser Technology




 **TIP:** You can find the model and serial numbers on the QR code label located on the back of your unit.

REGISTER YOUR PURCHASE

TO BENEFIT FROM YOUR PRODUCT'S EXTENDED GUARANTEE, SIMPLY REGISTER YOUR PURCHASE AT:

 sharkclean.com.au/apps/product-registration
sharkclean.co.nz/apps/product-registration

 AU +61 2 8801 7666
NZ +64 800 112 660

 Scan QR code using mobile device

Please note, products purchased directly from Shark® are automatically registered.

Benefits of registering your product and creating an account:

- Get easier, faster product support and access to guarantee information
- Access troubleshooting and product care instructions
- Be among the first to know about exclusive product promotions

RECORD THIS INFORMATION

Model Number: _____

Serial Number _____

Date Code: _____

Date of Purchase (Keep receipt): _____

Store of Purchase: _____

TECHNICAL SPECIFICATIONS

Voltage: 220-240V AC, 50-60Hz

Watts: 800W

PLEASE READ CAREFULLY AND KEEP FOR FUTURE REFERENCE.

This instruction manual is designed to help you get a complete understanding of your new Shark® XL Pet Pro Powered Lift-away™ with Odour Neutraliser Technology

If you have any questions, please call the customer service line on **AU:** +61 2 8801 7666 **NZ:** +64 0800 112 660



CONTENTS

Important Safety Instructions	4
Getting to Know Your Shark® Lift-Away®	6
Assembly	8
Power Cord	9
Odour Neutraliser Technology	10
Settings	12
Brushroll Indicator Light.....	12
Cleaning Modes	13
Emptying the Dust Cup	14
Cleaning the Filters	15
Cleaning the Brushroll	16
Checking for Blockages	17
Available accessories	18
Troubleshooting Guide	19
Guarantee Terms and Conditions	20

IMPORTANT SAFETY INSTRUCTIONS

FOR HOUSEHOLD USE ONLY • PLEASE READ ALL INSTRUCTIONS BEFORE USING THIS VACUUM.

IF YOU HAVE DELICATE OR WOOL CARPETS, PARTICULARLY LOOP PILE, PLEASE TRY THE VACUUM ON A HIDDEN AREA FIRST TO ENSURE THE SPINNING BRUSH-ROLLS DO NOT DAMAGE OR UNPICK CARPET FIBRES.

⚠ WARNING

REDUCE THE RISK OF FIRE, ELECTRIC SHOCK, INJURY, OR PROPERTY DAMAGE:

⚠ WARNING: Children should be supervised to ensure that they do not play with this vacuum cleaner.

GENERAL WARNINGS

1. Inspect power cord and plug for any damage before use. **DO NOT** use vacuum cleaner with a damaged cord or plug. Turn off all controls before plugging in or unplugging the vacuum cleaner. Store your vacuum cleaner with the power cord secured around the two cord hooks. To minimise the risk of power cord damage, do not allow the motorised brush-roll to ingest the cord. If this occurs, immediately shut off power to the vacuum and remove the cord.
2. Your vacuum cleaner consists of a motorised floorhead, wand, hose, and/or vacuum pod. This device contains electrical connections, electrical wiring, and moving parts that potentially present risk to the user.
3. Use only identical replacement parts.
4. Carefully observe and follow the instructions provided below to avoid improper use of the vacuum cleaner. **DO NOT** use the vacuum for any purpose other than those described in this manual.
5. Before use, carefully inspect all parts for any damage. **DO NOT** use if any parts are damaged.
6. The use of an extension cord is **NOT** recommended.
7. **CAUTION:** This vacuum cleaner contains electrical connections and no serviceable parts.

USE WARNINGS

8. This vacuum cleaner can be used by persons with reduced physical, sensory or mental capabilities or lack of experience and knowledge if they have been given supervision or instruction concerning use of the vacuum cleaner in a safe way and understand the hazards involved.

9. **Do not allow the vacuum cleaner to be used by children.** Keep the vacuum cleaner and its cord out of reach of children. Do not allow to be used as a toy. Close supervision is necessary when used near children.

CLEANING AND USE

10. Always turn off the vacuum cleaner before connecting or disconnecting any motorised floorheads or other accessories.
11. **DO NOT** handle plug or vacuum cleaner with wet hands.
12. **DO NOT** use without filters in place.
13. Only use Shark® branded filters and accessories. Damage caused by the use of non-Shark® parts may not be covered by your guarantee.
14. **DO NOT** damage the power cord:
 - a) **DO NOT** pull or carry vacuum cleaner by the cord or use the cord as a handle.
 - b) **DO NOT** unplug by pulling on cord. Grasp the plug, not the cord.
 - c) **DO NOT** run the vacuum cleaner over the power cord, close a door on the cord, pull the cord around sharp corners, or leave the cord near heated surfaces.
15. **DO NOT** put any objects into floorhead or accessory openings. **DO NOT** use with any opening blocked; keep free of dust, lint, hair, and anything that may reduce airflow.
16. **DO NOT** use if floorhead or accessory airflow is restricted. If the air paths or the motorised floor floorhead become blocked, turn the vacuum cleaner off and unplug from electrical socket. Remove all obstructions before you plug in and turn on the unit again.
17. Keep floorhead and all vacuum openings away from hair, face, fingers, uncovered feet, or loose clothing.
18. **DO NOT** use if vacuum cleaner is not working as it should, or has been dropped, damaged, left outdoors, or dropped into water.

SAVE THESE INSTRUCTIONS

READ ALL INSTRUCTIONS BEFORE USE

19. If the supply cord is damaged, it must be replaced by the manufacturer, its service agent or similar qualified persons in order to avoid a hazard.
20. Use extra care when cleaning on stairs.
21. **DO NOT** leave the vacuum cleaner unattended while plugged in.
22. When powered on, keep the vacuum cleaner in motion over the carpet surface at all times to avoid damaging the carpet fibres.
23. **DO NOT** place vacuum cleaner on unstable surfaces such as chairs or tables.
24. **DO NOT** use to pick up:
 - a) Liquids
 - b) Large objects
 - c) Hard or sharp objects (glass, nails, screws, or coins)
 - d) Large quantities of dust (drywall dust, fireplace ash, or embers). **DO NOT** use as an attachment to power tools for dust collection.
 - e) Smoking or burning objects (hot coals, cigarette butts, or matches)
 - f) Flammable or combustible materials (lighter fluid, petrol, or kerosene)
 - g) Toxic materials (chlorine bleach, ammonia, or drain cleaner)
25. **DO NOT** use in the following areas:
 - a) Poorly lit areas
 - b) Wet or damp surfaces
 - c) Outdoor areas
 - d) Spaces that are enclosed and may contain explosive or toxic fumes or vapours (lighter fluid, petrol, kerosene, paint, paint thinners, mothproofing substances, or flammable dust)
26. Turn off all controls before plugging in or unplugging the vacuum.
27. Unplug from electrical socket when not in use and before any maintenance or cleaning.
28. To clean: wipe down the unit with water only. Washing with cleaning chemicals could damage the unit.
29. During cleaning or routine maintenance, **DO NOT** cut anything other than hair, fibres, or string wrapped around the brush-roll.
30. Allow all filters to air-dry completely before replacing in the vacuum to prevent liquid from being drawn into electrical parts.

31. Make sure the dust cup and all filters are in place after routine maintenance.
32. Secure the power cord around the two cord hooks during storage.
33. Observe the following when interacting with the Odour Neutraliser Technology Dial:
 - a) **DO NOT** attempt to disassemble Odour Neutraliser Technology Dial.
 - b) Avoid direct contact with the fragrance puk.
 - c) **DO NOT** directly inhale from the Odour Neutraliser Dial or Fragrance Puk.
 - d) Keep away from children and pets.
 - e) Keep away from heat, sparks and open fires.
 - f) **DO NOT** place in direct sunlight.

FRAGRANCE PUK FIRST AID

- a) Avoid contact with fabrics and finished surfaces.
- b) Eye contact: Remove contact lenses if present. Rinse continuously with water for several minutes.
- c) Skin contact: Wash hands thoroughly after handling. If irritation or rash develops, seek medical advice/attention.
- d) Inhalation: Move person to fresh air if they are experiencing any respiratory symptoms. If symptoms persist, seek medical advice/attention.
- e) Ingestion: **DO NOT** induce vomiting. Seek medical advice/attention.

ODOUR NEUTRALISER TECHNOLOGY WARNING



If in direct contact with contents of cartridge:

May cause an allergic reaction to skin. Wear protective gloves if directly coming into the contact with the cartridge. Wash skin thoroughly after handling. Harmful if swallowed. Avoid breathing in mist or vapours, intentional misuse and directly inhaling contents may be dangerous. Avoid release to the environment. Very toxic to aquatic life with long lasting effects, ensure cartridge is disposed of as general waste.

2-(4-tert-butylbenzyl) propionaldehyde

May damage fertility and suspected of damaging the unborn child. Do not handle until all safety precautions have been read and understood. Use personal protective equipment, such as protective gloves, as required.

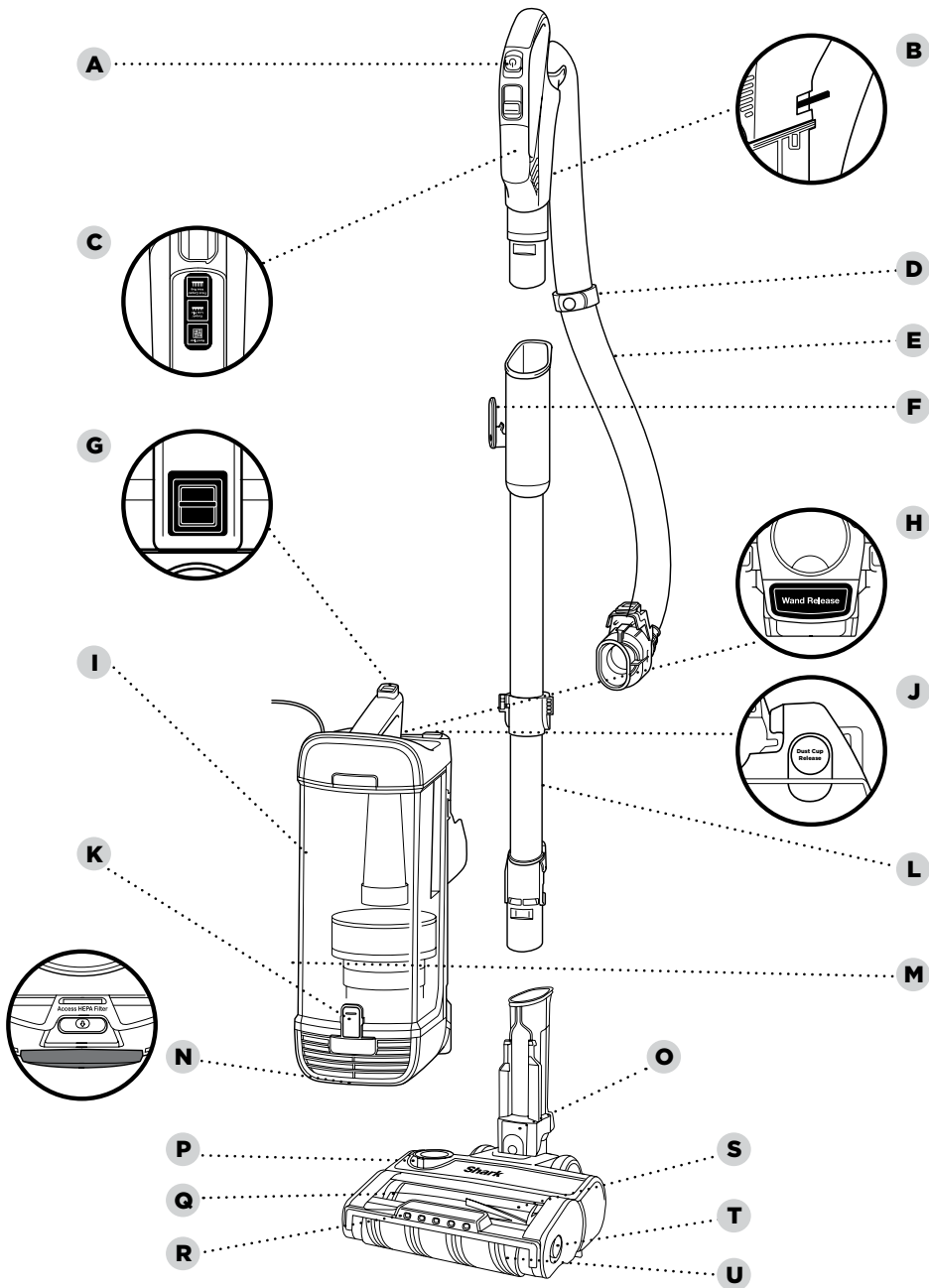
GETTING TO KNOW YOUR SHARK® XL PET PRO POWERED LIFT-AWAY™ WITH ODOUR NEUTRALISER TECHNOLOGY

WELCOME!

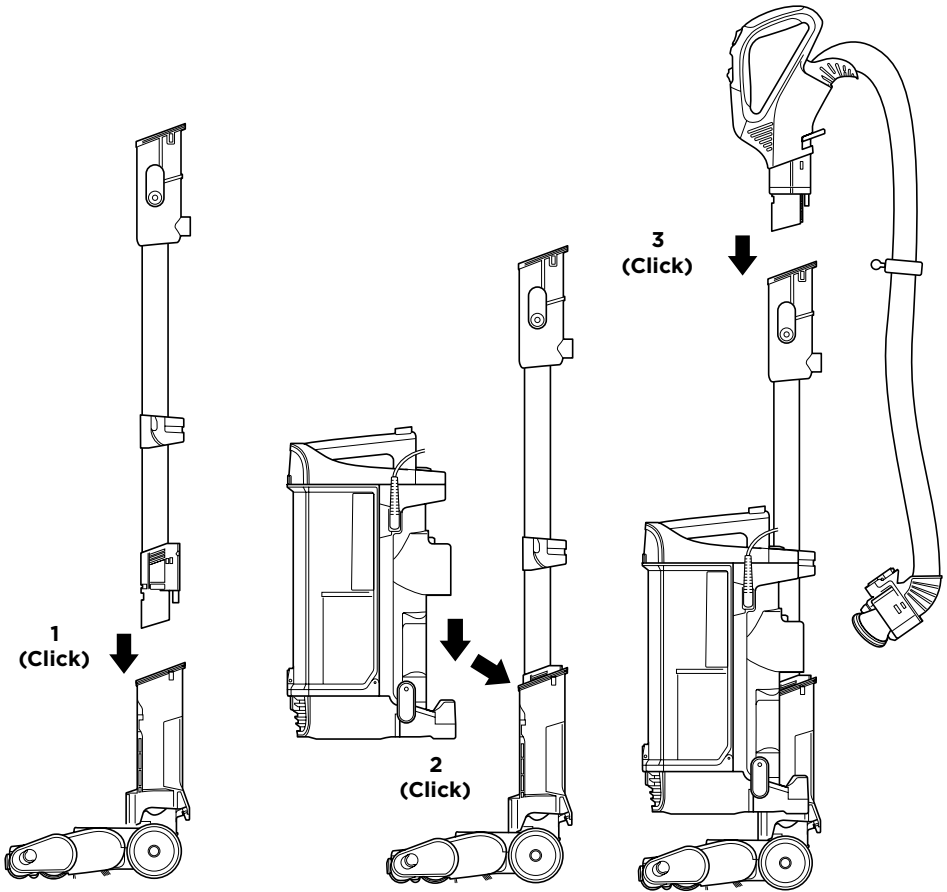
Congratulations on your purchase. Use this instruction manual to learn about your new vacuum's great features. From assembly to use to maintenance, you will find it all in here.

MAIN UNIT

- A** Power Switch
- B** Handle Release Button
- C** Surface Selector
- D** Hose Clip
- E** Hose
- F** Upper Cord Hook
- G** Powered Lift-Away™ Button
- H** Wand Release Button
- I** Lift-Away Pod
- J** Dust Cup Release Button
- K** Dust Cup Empty Latch
- L** Wand
- M** Lower Cord Hook
- N** Filter Access
- O** Motorised Floorhead
- P** Odour Neutraliser Technology Dial
- Q** Brushroll Garage
- R** Headlights
- S** Self Cleaning Brushroll Plus
- T** Brushroll Release
- U** Soft Roller



NOTE: The dust cup has to be removed to see the filter access button.

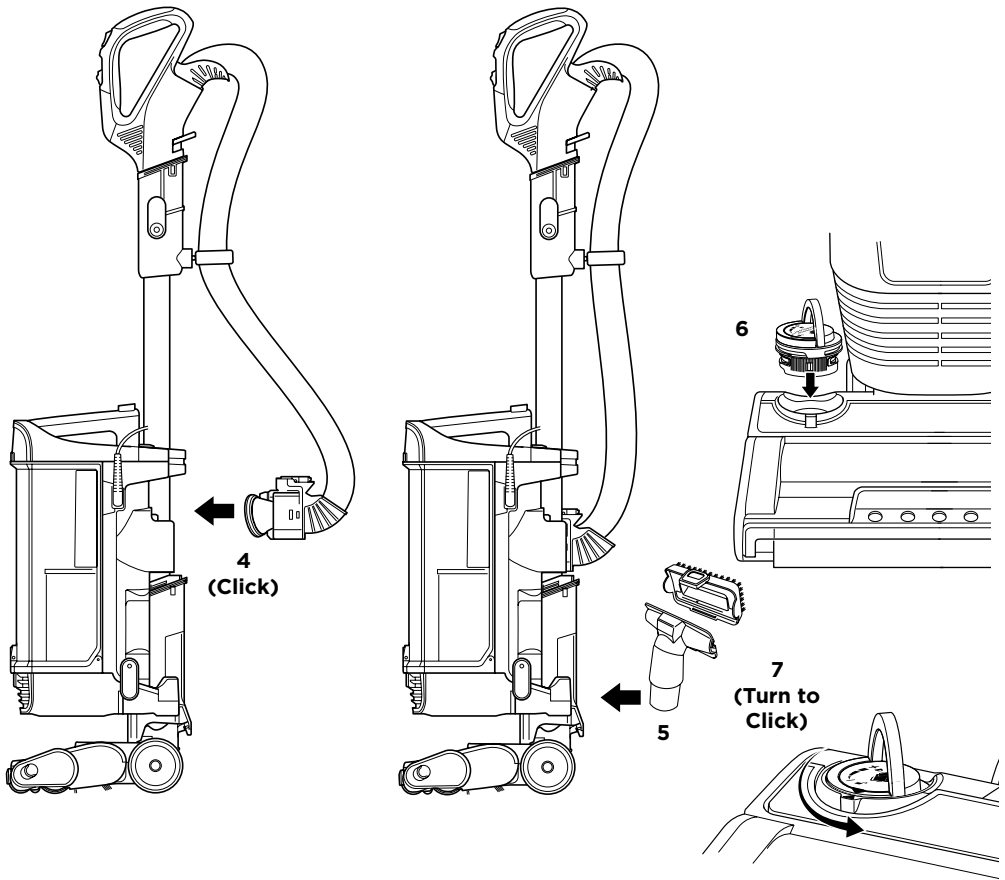


1. Place motorised **Floorhead** on floor and insert **Wand**, pressing it in until it clicks securely into place.
2. Place **Pod** onto wand and slide down to connect.
3. Insert **Handle** into wand, pressing it in until it clicks securely into place.
4. Connect **Hose** to back of pod, pressing it in until it clicks securely into place.
5. Store included accessories on the **Accessory Posts** on the pod.
6. Flip up the handle and rotate the **Odour Neutraliser Technology Dial** clockwise until the two teal arrows are aligned. Pull the handle to remove the Odour Neutraliser Technology Dial from the floorhead.
7. To lock and engage the Odour Neutraliser Technology Dial, rotate it anticlockwise until it clicks into the desired odour intensity setting.

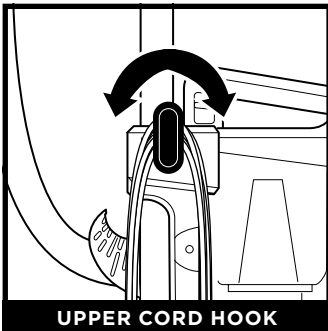
More detailed odour assembly instructions and visuals on the following two pages.

IMPORTANT: For proper operation, ensure all connections are securely clicked into place.

ASSEMBLY

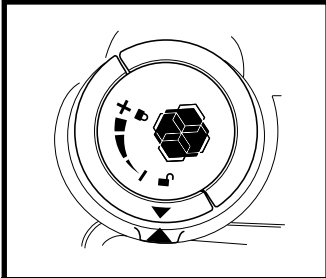


POWER CORD



For cord access, rotate upper hook down and remove cord.

SETTINGS



ODOUR NEUTRALISER TECHNOLOGY DIAL

Shark's Odour Neutraliser Technology guards against bad odours inside your vacuum.

Flip up the handle and rotate the Odour Neutraliser Technology Dial to adjust fragrance puk intensity or to remove cartridge.

Insertion/Removal: Rotate the Odour Neutraliser Technology Dial to align the teal arrows. Remove the dial to access the fragrance puk for removal or replacement.

High: Rotate the Odour Neutraliser Technology Dial toward the High position for the highest level of intensity when the vacuum is in use. This position is the recommended setting for optimal performance.

Medium: Rotate the Odour Neutraliser Technology Dial toward the medium position to decrease the intensity of the odour when the vacuum is in use.

Low: Rotate the Odour Neutraliser Technology Dial toward the Low position to minimise the intensity to the lowest level when the vacuum is in use.

ODOUR NEUTRALISER TECHNOLOGY TIPS

The Odour Neutraliser Technology Dial Must be Installed for Vacuum to Function Properly

- Remove the Fragrance Puk from dial if you don't want the benefits of the Odour Neutraliser Technology.

Maintenance Required

- Clean all filters as recommended under Cleaning Filters.
- Empty your dust cup before storing your vacuum.
- Replace the fragrance puk as recommended under Odour Neutraliser Technology fragrance puk replacement.
- Visit sharkclean.com.au sharkclean.co.nz to learn more and purchase replacements.

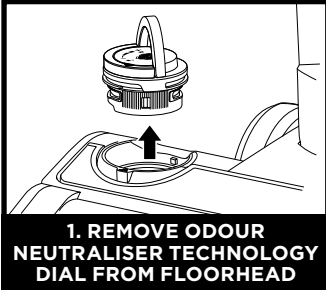
Fragrance Strength Over Time

- The intensity of the Odour Neutraliser Technology fragrance puk may diminish over time. It may also have no noticeable fragrance at all. This is natural and does not indicate the technology isn't working. Follow replacement instructions to ensure continued performance.

NOTES:

- The Odour Neutraliser Technology Dial needs to be installed for the vacuum to function properly, with or without the fragrance puk.
- Wash hands thoroughly after handling. If irritation or rash develops, seek medical advice/attention.
- Fragrance puks should be replaced every 6 months for optimal Odour Neutraliser Technology performance.

ODOUR NEUTRALISER TECHNOLOGY FRAGRANCE PUK REPLACEMENT



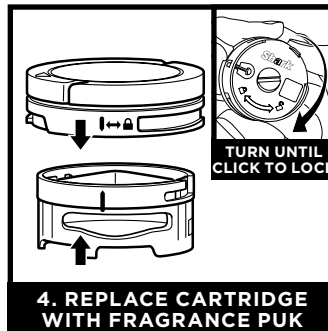
Flip up the handle and rotate the Odour Neutraliser Technology Dial clockwise until the two teal arrows are aligned. Pull the handle to remove the Odour Neutraliser Technology Dial from the floorhead.



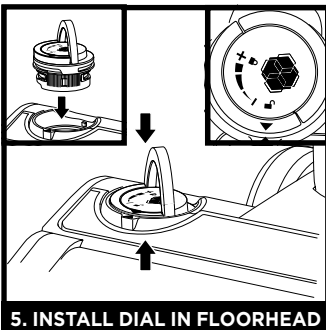
Rotate the fragrance puk anticlockwise in the Odour Neutraliser Technology Dial housing and pull out the fragrance puk to remove it.



Remove the new fragrance puk from the can. To maintain the life of the fragrance puk, keep it in the can until you are ready to install it.



Align the yellow arrow on the side of the fragrance puk with the yellow arrow on the side of the Odour Neutraliser Technology Dial cover, then insert the fragrance puk into the dial. Rotate clockwise to lock it in place.



Align the teal arrow on the dial cover with the teal arrow on the floorhead. Then reinsert the dial into the floorhead. Rotate the dial anticlockwise to an intensity setting to engage. Rotate further to change the intensity setting to high, medium or low.

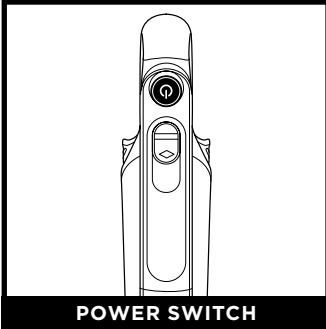


Dispose of old fragrance puk into the bin. Please do not throw the Odour Neutraliser Technology Dial into the bin.

For replacement Odour Neutraliser Technology Fragrance Puk please visit sharkclean.com.au sharkclean.co.nz

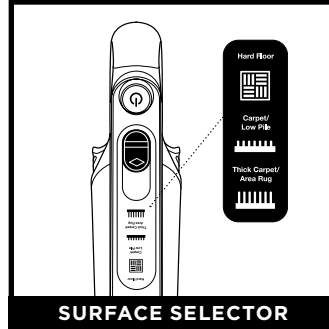
OPERATING THE VACUUM

SETTINGS



POWER SWITCH

Press power button to turn on vacuum. Please note the brush-rolls will not spin until you have stepped on the floorhead and tilted the handle back.



SURFACE SELECTOR

Thick Carpet & Area Rug Cleaning

Slide the surface switch to the top position to select Thick Carpet/Area Rug.

Carpet & Low Pile Cleaning

Slide the surface switch to the middle position to select Carpet/Low Pile to increase the speed of the brushrolls and to help remove stuck-on dust and debris.

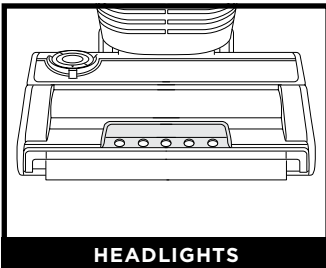
Hard Floor Cleaning

Slide the surface switch to the bottom position to select Hard Floor.

NOTE: Try using Hard Floor mode for low pile area rugs.

NOTE: Try using Hard Floor mode for low pile area rugs.

HEADLIGHT INDICATOR LIGHTS



HEADLIGHTS

The headlights will flash or turn red to indicate issues that need attention.

WHAT DO THE HEADLIGHT INDICATOR LIGHTS MEAN?

Solid White Lights: The brushrolls are spinning and unit is working as it should.

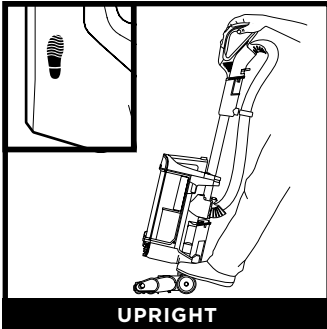
Solid Red Lights: There is a jam in the brushroll area. Turn off the vacuum and unplug it, then remove any blockages in the floorhead.

Flashing Red Lights: The motorised floorhead is overheating. Turn off the vacuum, unplug it, and remove any blockages. Let the vacuum cool down for at least 60 minutes before restarting. See Troubleshooting section for more information.

Flashing White Lights: The vacuum is operating in an environment that is either too hot or too cold. This vacuum will only function properly in temperatures ranging from 0°C (32°F) to 40°C (104°F). Turn the vacuum off and adjust the room temperature.

OPERATING THE VACUUM

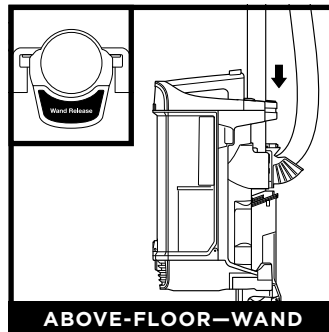
CLEANING MODES



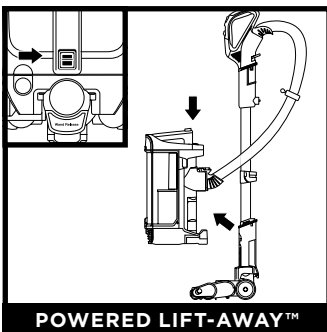
To engage brush-rolls, step on floorhead and tilt handle back.



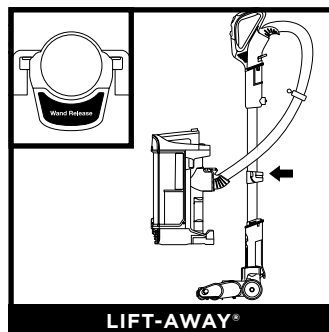
Press the **Handle Release** latch to detach the handle from the wand.



Press the **Wand Release** button to detach the wand from the pod.



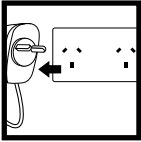
Press the **Powered Lift-Away™** button to detach the pod from the floorhead.



With pod removed, press the **Wand Release** button to detach the wand from the floorhead.

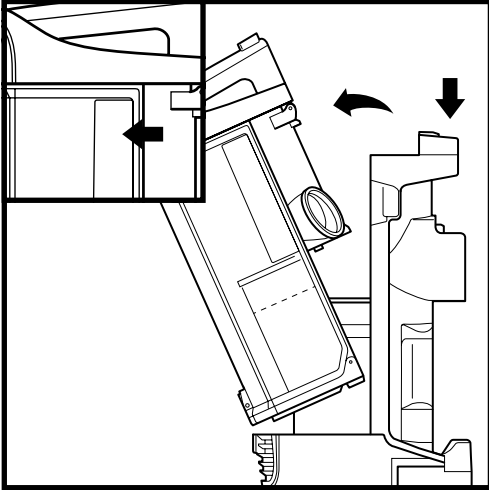
NOTE: All accessories are compatible with both the wand and the handle.

EMPTYING THE DUST CUP

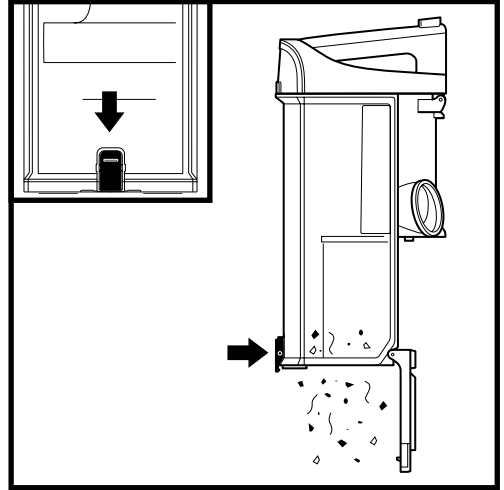


IMPORTANT: Unplug the cord before performing any maintenance.

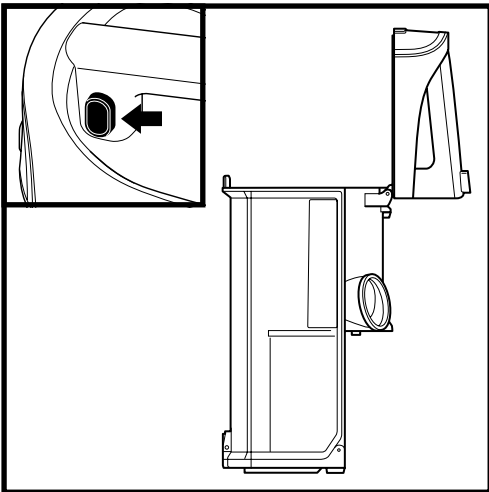
NOTE: Empty the dust cup when or before the debris reaches the max fill line.



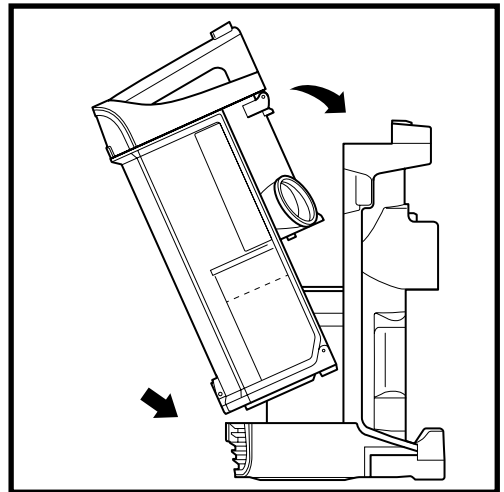
To remove **Dust Cup**, press release button on top of the pod. Tilt dust cup away from wand, then lift to remove.



To empty debris into the bin, press lower release button and bottom of dust cup will drop open.



To remove collected debris from **Lint Screen**, press top release buttons either side of the handle and lift handle to access screen.



To reinstall, place bottom of dust cup into pod and then tilt until it clicks into place.

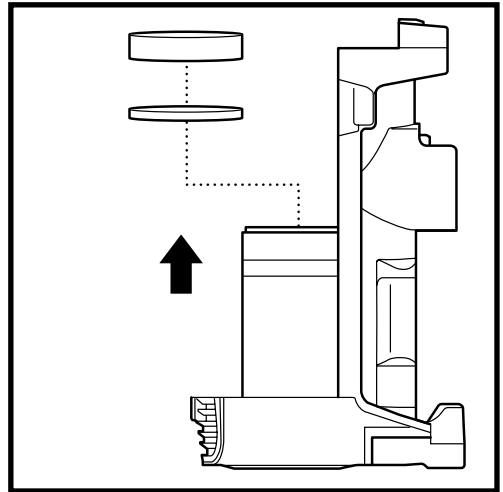
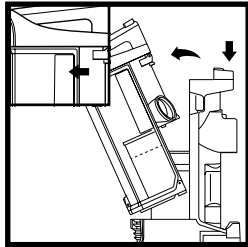
CLEANING AND REPLACING THE FILTERS

CLEANING FILTERS

Regularly wash, dry and replace the filters to maintain your vacuum's suction power.

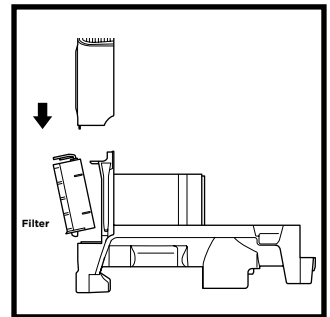
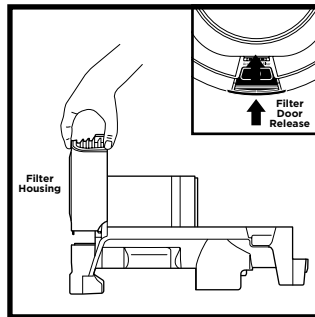
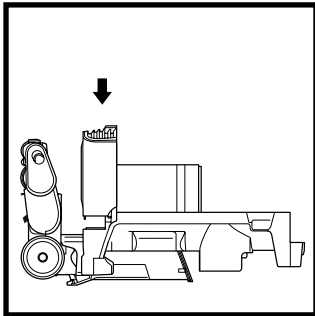
To prevent damage from cleaning chemicals, rinse filters with cold water only. Allow all filters to air-dry for at least 24 hours before reinstalling them to prevent liquid from being drawn into electric parts.

IMPORTANT: DO NOT use soap when cleaning the filters.



CLEAN PRE-MOTOR FILTERS EVERY MONTH

Remove **Dust Cup**, then lift out **Filters**.



CLEAN POST MOTOR FILTER EVERY YEAR

Lie unit flat on the floor so you can see the post motor filter underneath. With the dust cup removed, press button on filter housing and pull forward. Remove post motor filter by pressing black tab until it clicks and is released from the unit. To reinstall, insert the filter into the unit by clicking into place and re-attach the filter housing.

NOTE: The pre-motor filters should be replaced every 2.5 years. The post-motor filter should be replaced every 3 years.

MAINTENANCE

FLOORHEAD MAINTENANCE

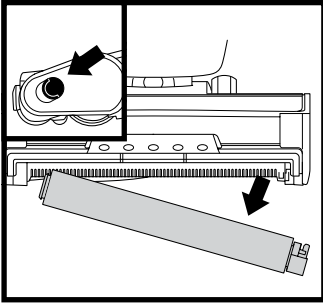
SELF CLEANING BRUSHROLL

If any hair is wrapped around the brushroll, continue vacuuming using Carpet/Low Pile mode on a bare floor surface, a low-pile carpet, or a small area rug. This will allow the Self Cleaning brushroll to remove the hair wrap and send it to the dust cup.

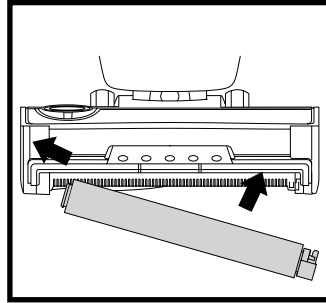
If you run over a hard or sharp object or notice a noise change while vacuuming, check for blockages or objects caught in the brushroll.

If some fibres remain wrapped around the brushroll after continued use, clear them from the brush-roll.

CLEANING THE SOFT ROLLER

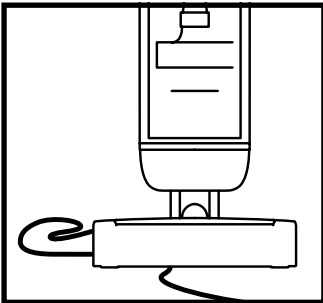


Slide the Soft Roller access button forward to release the Soft Roller.



Hand wash the Soft Roller as needed. Use only water, and allow it to air-dry completely for at least 24 hours. Reinsert the Soft Roller in the front of the floorhead until it clicks into place.

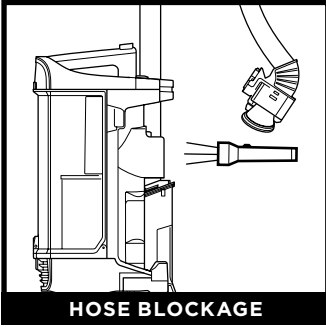
CORD MAINTENANCE



To minimise the risk of power cord damage, **DO NOT** run the vacuum over the power cord. If this occurs, immediately shut off power to the vacuum and remove the cord from the brushroll or floorhead.

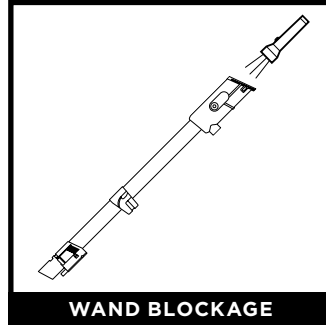
1. **DO NOT** pull or carry vacuum cleaner by the cord or use cord as a handle.
2. **DO NOT** unplug by pulling on the cord. Grasp the plug, not the cord.
3. **DO NOT** close the door on the cord.
4. **DO NOT** pull the cord around sharp corners.
5. **DO NOT** leave the cord near heated surfaces.

CHECKING FOR BLOCKAGES



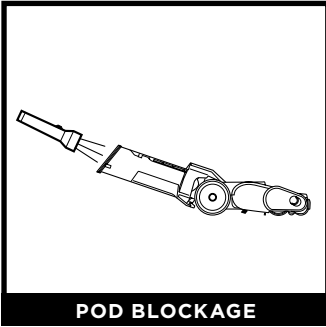
HOSE BLOCKAGE

Detach hose from vacuum pod, and check hose and opening on back of pod for blockages.



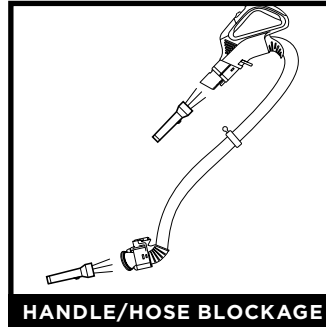
WAND BLOCKAGE

Detach wand from floorhead and handle, and check both ends for blockages.



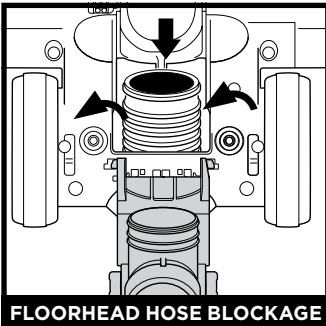
POD BLOCKAGE

Detach wand from floorhead, tilt floorhead neck back, and check opening for blockages.



HANDLE/HOSE BLOCKAGE

Detach handle from wand and the hose from the vacuum pod, and check openings for blockages.



FLOORHEAD HOSE BLOCKAGE

To access the floorhead hose, pinch the release touchpoints on the bottom of the floorhead, then lift the cover and clear any blockages.

NOTE: Torch not included

AVAILABLE ACCESSORIES

NOTE: Not all accessories come with all units. To order additional accessories, visit sharkclean.com.au sharkclean.co.nz

A Crevice Tool

This slender tool offers extended reach to access corners, kick boards and skirting boards, tight spaces, and ceilings.

B Upholstery Tool

Picks up hair, dust, and large debris from mattresses, sofas, curtains, lampshades, and other delicate upholstered fabrics.

C Multi Surface Tool

A single convertible tool. Use the stiff bristle brush to clean stuck-on debris, or take off the bristles to reveal an upholstery tool perfect for removing stubborn pet hair and large piles of debris.

D Duster Crevice Tool

Two cleaning tools in one. The crevice tool gives you extended reach to clean in tight spaces, while the soft brush is ideal for dusting delicate surfaces.

E Pet Power Brush

The turbine brush loosens and removes pet hair is ideal for removing debris from stairs, and powerfully deep-cleans dander out of upholstery and other surfaces.

F Under-Appliance Wand

Clean under and behind hard-to-move appliances and furniture with this adjustable tool. Flip the extension piece over to clean the underside of appliances.

G Anti-Allergen Dust Brush

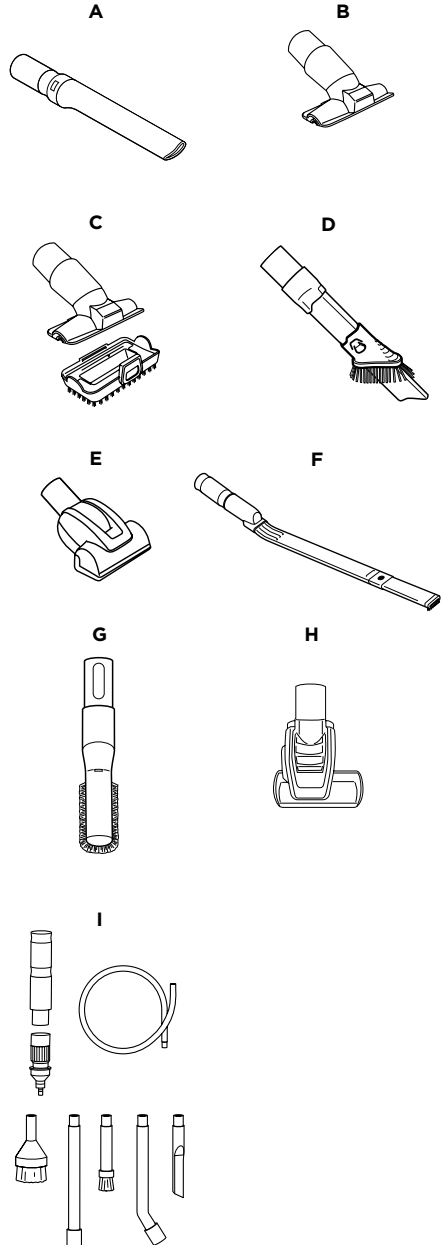
This brush features nylon fibre bristles specifically designed for removing fine dust and allergen particles from the most delicate surfaces.

H Self Cleaning Pet Power Brush Plus

Tackles pet hair and ground-in dirt from carpeted stairs and upholstery, while actively removing hair wrap as it cleans.

I Home & Car Detail Kit

Deep-clean your car or hard-to-reach areas in your home. Micro-sized tools let you clean around delicate objects and access the tightest spaces like car vents and computer keyboards.



Power cord caught in brushroll or floorhead.

- To minimise the risk of power cord damage, DO NOT run the vacuum over the power cord. If this occurs, immediately shut off power to the vacuum and remove the cord from the brushroll or floorhead.
- Inspect power cord and plug for any damage before use. DO NOT use vacuum cleaner with a damaged cord or plug. Turn off all controls before plugging in or unplugging the vacuum cleaner. Store your vacuum cleaner with the power cord secured around the two cord hooks.

Vacuum is not picking up debris. No suction or light suction.

- Check filters to see if they need cleaning. Follow instructions for rinsing and air-drying the filters before reinstalling them.
- Dust cup may be full; empty dust cup.
- Check hose, hose connections, floorhead, wand, pod, and accessories for blockages. Clear any blockages found. See Checking for Blockages section for more information.
- If any hair, string, or carpet fibres are wrapped around the brushroll, extend cleaning time to allow the self-cleaning brushroll to remove them. If some hair or fibres remain wrapped around brushroll after continued use, carefully remove them. See Cleaning the Brushroll section for more information.

Vacuum lifts area rugs.

- Make sure Surface Selector switch is set to the Thick Carpet/Area Rug setting.
- Suction is powerful. Take care when vacuuming area rugs or rugs with delicately sewn edges.

Brushrolls do not spin.

- If the Headlight Indicator Lights turn red, immediately turn off and unplug the vacuum. Remove pod and wand from floorhead and clear any blockages. Reconnect floorhead, plug in vacuum, and turn on power.
- With the power on, recline the handle, which will automatically turn on the brushrolls.

Vacuum turns off on its own or headlight indicator light flashes red.

If your vacuum overheats, the thermostat will automatically turn off the motor. Perform the following steps to restart:

1. Turn vacuum off and unplug it.
2. Empty dust cup and clean filters. See Emptying the Dust Cup and Cleaning and Replacing the Filters sections for more information.
3. Check for blockages in hose, wand, floorhead, accessories, and inlet openings.
4. Allow unit to cool for a minimum of 60 minutes.
5. Plug in vacuum and turn it on.

Vacuum is emitting air that smells bad.

- Dust cup may be full; empty dust cup. Empty dust cup after each use for optimal Odour Neutraliser Technology performance.
- Check filters to see if they need cleaning. Follow instructions for rinsing and air-drying the filters before reinstalling them.
- Check to make sure fragrance puk is installed in the dial and the dial is installed in the floorhead.
- Check the Odour Neutraliser Technology dial on the floorhead to see what setting is enabled.
- If Odour Neutralising Technology dial is at any setting from Low to High and the fragrance puk has been installed for 6 months or longer, consider replacing it.
- If the fragrance puk is still emitting a scent but you dislike it, consider turning the intensity down, or reinstall the dial in the floorhead without the cartridge.
- If the fragrance puk is not emitting a scent, consider replacing it.

Note: If vacuum still does not start, visit sharkclean.co.uk/customer-care or contact customer service on:

AU sharkclean.com.au
AU +61 2 8801 7666
NZ sharkclean.co.nz
NZ +64 800 112 660

TWO (2) YEAR LIMITED REPLACEMENT WARRANTY

If your product becomes defective due to faulty material or workmanship within a period of 2 years from the date of purchase, we warrant to do the following:

- For New Zealand Consumers: We will replace the product with a new product, free of charge, or repair the product at our cost, at our discretion.
- For Australian Consumers: Our goods come with guarantees that cannot be excluded under the Australian Consumer Law. You are entitled to a replacement or refund for a major failure and for compensation for any other reasonably foreseeable loss or damage. You are also entitled to have the goods repaired or replaced if the goods fail to be of acceptable quality and the failure does not amount to a major failure.

Your warranty is subject to the following conditions:

- DO NOT operate the appliance with a damaged plug or cord, or if the unit has been dropped, damaged or dropped in water. To avoid the risk of electric shock, do not disassemble or attempt to repair the appliance on your own. If the supply cord is damaged, it must be replaced by a qualified electrician in order to avoid a hazard. Incorrect re-assembly or repair can cause a risk of electric shock or injury to persons when the appliance is used.
- The item has not been misused, abused, neglected, altered, modified or repaired by anyone.
- The item has been subjected to fair wear and tear.
- The item has not been used for trade, professional or hire purposes.
- The item has not sustained damage through foreign objects, substances or accident.

Your warranty does not cover;

- Components that are subject to natural wear and tear caused by normal use in accordance with operating instructions.
- Unauthorised/improper maintenance/handling or overload is excluded from this warranty.
- For guarantee claims, you will need to submit a proof of purchase in the form of a valid receipt that displays date and place of purchase.

This warranty does not replace but is in addition to your statutory rights.

This warranty does not apply to accessories supplied with the item.

This warranty applies only to the original purchaser and may not be transferred.

Replacement items will be covered by the limited warranty for the balance of the warranty period from the date of the original purchase.

Please note:

Only the defective product or parts returned to place of purchase will be replaced under this warranty.

Proudly distributed by

Mann&Noble Pty Ltd
Building D, 33 Quarry Road
Erskine Park NSW 2759
Australia

AUS +61 2 8801 7666

NZ +64 800 112 660

Visit us at:

sharkclean.com.au
sharkclean.co.nz



ODOUR NEUTRALISER TECHNOLOGY SPECIFICATIONS.

1. Product Name: Odour Neutraliser Technology Fragrance Puk
2. Ingredients: Solid SM composite polymer
C17 + fragrance SE 446676

Mann&Noble

Proudly distributed by

Mann&Noble Pty Ltd
Building D, 33 Quarry Road
Erskine Park NSW 2759

Australia

AUS +61 2 8801 7666

NZ +64 800 112 660

Visit us at:

sharkclean.com.au

sharkclean.co.nz

Illustrations may differ from actual product. We are constantly striving to improve our products, therefore the specifications contained herein are subject to change without notice. This product may be covered by one or more U.S. patents. See sharkninja.com/patents for more information.

© 2023 SharkNinja Operating LLC. LIFT-AWAY, and SHARK are registered trademarks of SharkNinja Operating LLC. HAIRPRO, POWERED LIFT-AWAY, and SHARK STRATOS are trademarks of SharkNinja Operating LLC.

