

# ***Shark***<sup>®</sup>

## **Bagless Barrel Pet Vacuum with MultiFLEX<sup>®</sup>**

CZ500ANZ Series

### **INSTRUCTIONS**




---



# THANK YOU

for purchasing the Shark® Bagless Barrel Pet Vacuum with MultiFLEX®

## REGISTER YOUR PURCHASE AT:

-  sharkclean.com.au    sharkclean.co.nz
-  AU 02 8801 7666 NZ 0800 112 660
-  Scan QR code using mobile device

Please note, products purchased directly from Shark are automatically registered.

Benefits of registering your product and creating an account:

- Get easier, faster product support and access to guarantee information
- Access troubleshooting and product care instructions
- Be among the first to know about exclusive product promotions

## RECORD THIS INFORMATION

Model Number: \_\_\_\_\_

Serial Number \_\_\_\_\_

Date Code: \_\_\_\_\_

Date of Purchase (Keep receipt): \_\_\_\_\_

Store of Purchase: \_\_\_\_\_

## TECHNICAL SPECIFICATIONS

Voltage: 220-240V-, 50-60Hz

Watts: 800W  
(60W for the Power Nozzle)

## PLEASE READ CAREFULLY AND KEEP FOR FUTURE REFERENCE.

This instruction manual is designed to help you get a complete understanding of your new Shark® Bagless Barrel Pet Vacuum with MultiFLEX®.

If you have any questions, please call the customer service line on AU 02 8801 7666    NZ 0800 112 660.




# IMPORTANT SAFETY INSTRUCTIONS

FOR HOUSEHOLD USE ONLY • PLEASE READ ALL INSTRUCTIONS BEFORE USING THIS VACUUM.

IF YOU HAVE DELICATE OR WOOL CARPETS, PARTICULARLY LOOP PILE, PLEASE TRY THE VACUUM ON A HIDDEN AREA FIRST TO ENSURE THE SPINNING BRUSH-ROLLS DO NOT DAMAGE OR UNPICK CARPET FIBRES.

## WARNING

**REDUCE THE RISK OF FIRE, ELECTRIC SHOCK, INJURY,  
OR PROPERTY DAMAGE:**

 **WARNING:** Children should be supervised to ensure that they do not play with the appliance.

### GENERAL WARNINGS:

- 1 Your vacuum cleaner consists of a motorised nozzle, wand, hose, and/or vacuum pod. This device contains electrical connections, electrical wiring, and moving parts that potentially present risk to the user.
- 2 Use only identical replacement parts.
- 3 Carefully observe and follow the instructions provided below to avoid improper use of the appliance. **DO NOT** use the vacuum for any purpose other than those described in this manual.
- 4 Before use, carefully inspect all parts for any damage. **DO NOT** use if any parts are damaged.
- 5 The use of an extension cord is **NOT** recommended.
- 6 **CAUTION:** This vacuum cleaner contains electrical connections. This vacuum contains no serviceable parts.
- 7 **CAUTION:** The hose contains electrical connections. Do not immerse in water for cleaning. Check hose regularly and do not use if damaged.

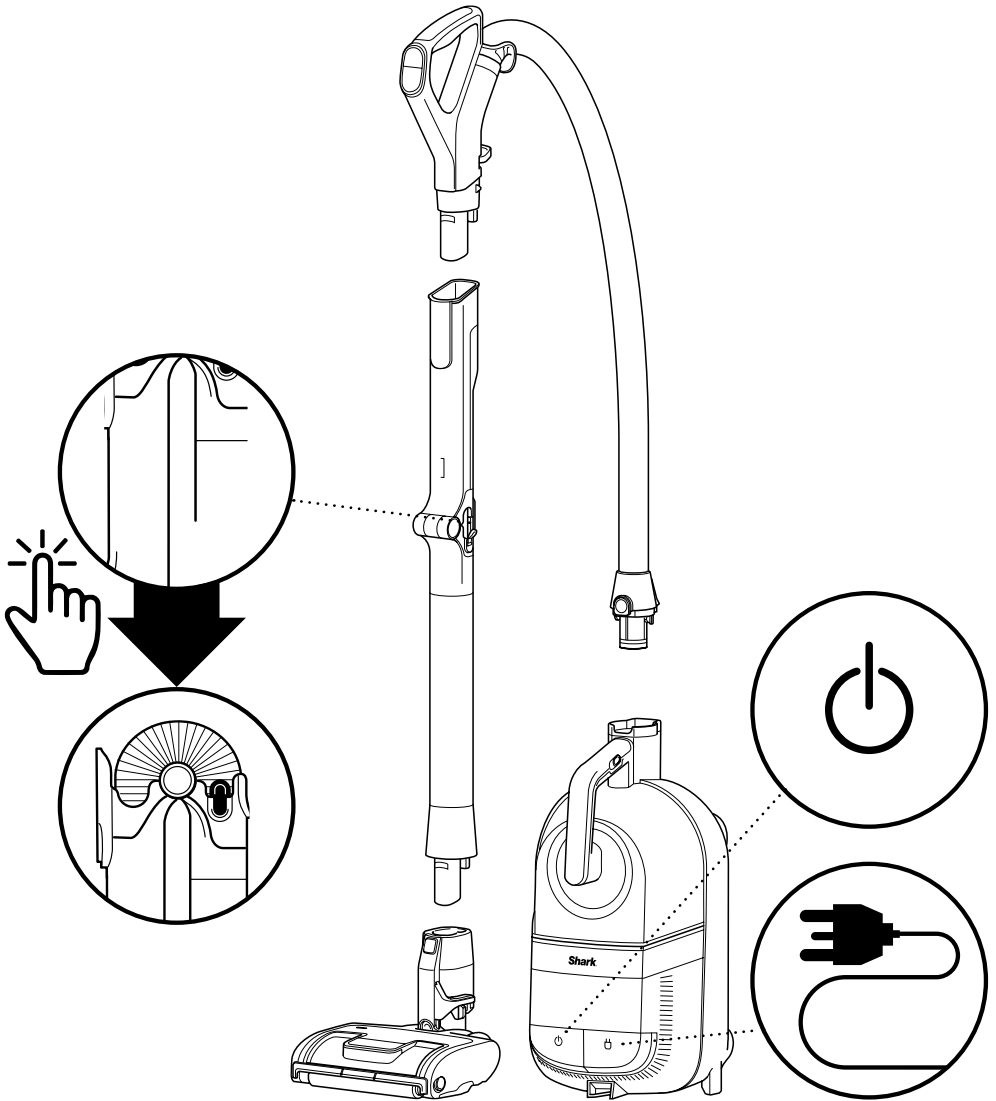
### USE WARNINGS:

- 8 This appliance can be used by persons with reduced physical, sensory or mental capabilities or lack of experience and knowledge if they have been given supervision or instruction concerning use of the appliance in a safe way and understand the hazards involved.
- 9 **DO NOT** allow the appliance to be used by children. Keep the appliance and its cord out of reach of children. Do not allow to be used as a toy. Close supervision is necessary when used near children.
- 10 Always turn off the vacuum cleaner before connecting or disconnecting any motorised nozzles or other accessories.
- 11 **DO NOT** handle plug or vacuum cleaner with wet hands.
- 12 **DO NOT** use without filters in place.
- 13 Damage caused by the use of non-Shark parts may not be covered under your guarantee.
- 14 **DO NOT** damage the power cord  
**DO NOT** pull or carry vacuum cleaner by the cord or use the cord as a handle.  
**DO NOT** unplug by pulling on cord. Grasp the plug, not the cord.
- 15 **DO NOT** run the vacuum cleaner over the power cord, close a door on the cord, pull the cord around sharp corners, or leave the cord near heated surfaces.
- 16 **DO NOT** put any objects into nozzle or accessory openings.
- 17 **DO NOT** use with any opening blocked; keep free of dust, lint, hair, and anything that may reduce airflow.
- 18 **DO NOT** use if nozzle or accessory airflow is restricted. If the air paths or the motorised floor nozzle become blocked, turn the vacuum cleaner off and unplug from electrical socket. Remove all obstructions before you plug in and turn on the unit again.
- 19 Keep nozzle and all vacuum openings away from hair, face, fingers, uncovered feet, or loose clothing.
- 20 **DO NOT** use if vacuum cleaner is not working as it should, or has been dropped, damaged, left outdoors, or dropped into water.
- 21 If the supply cord is damaged, it must be replaced by the manufacturer, its service agent or similar qualified persons in order to avoid a hazard.
- 22 Use extra care when cleaning on stairs.
- 23 **DO NOT** leave the vacuum cleaner unattended while plugged in. When powered on, keep the vacuum cleaner in the upright position and moving over the carpet surface at all times to avoid damaging the carpet fibres.
- 24 **DO NOT** place vacuum cleaner on unstable surfaces such as chairs or tables.
- 25 **DO NOT** use to pick up: liquids, large objects, hard or sharp objects (glass, nails, screws, or coins), large quantities of dust (drywall dust, fireplace ash, or embers).
- 26 **DO NOT** use as an attachment to power tools for dust collection, such as for smoking or burning objects (hot coals, cigarette butts, or matches), flammable or combustible materials (lighter fluid, petrol, or kerosene), toxic materials (chlorine bleach, ammonia, or drain cleaner).
- 27 **DO NOT** use in the following areas: poorly lit areas, wet or damp surfaces, outdoor areas, spaces that are enclosed and may contain explosive or toxic fumes or vapours (lighter fluid, petrol, kerosene, paint, paint thinners, mothproofing substances, or flammable dust).
- 28 Turn off all controls before plugging in or unplugging the vacuum.
- 29 Unplug from electrical socket when not in use and before any maintenance or cleaning.
- 30 To clean: wipe down the unit with water only. Washing with cleaning chemicals could damage the unit.
- 31 During cleaning or routine maintenance, **DO NOT** cut anything other than hair, fibres, or string wrapped around the brush-roll.
- 32 Allow all filters to air-dry completely before replacing in the vacuum to prevent liquid from being drawn into electric parts.
- 33 Make sure the dust cup and all filters are in place after routine maintenance.
- 34 Use extra care when cleaning on stairs. **DO NOT** work with the appliance above you on the stairs.
- 35 Hold the plug when rewinding onto cable reel. **DO NOT** allow the plug to whip when rewinding. The plug may cause injury and damage to surrounding objects if the cable is allowed to rewind without guidance.

## SAVE THESE INSTRUCTIONS

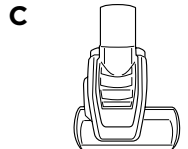
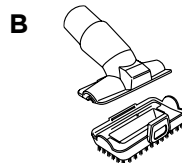
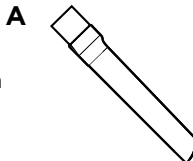
**READ ALL INSTRUCTIONS BEFORE USE**

# ASSEMBLY

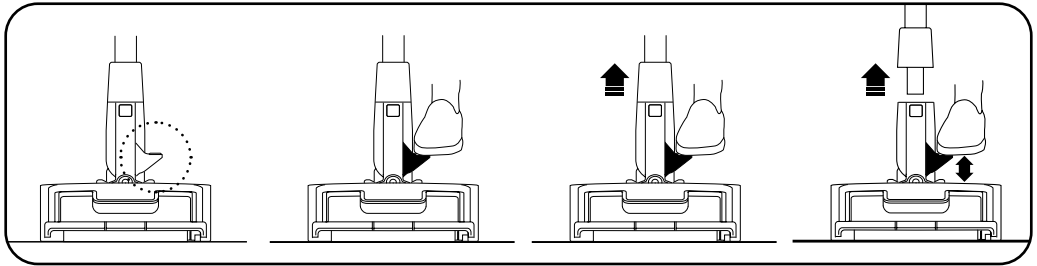
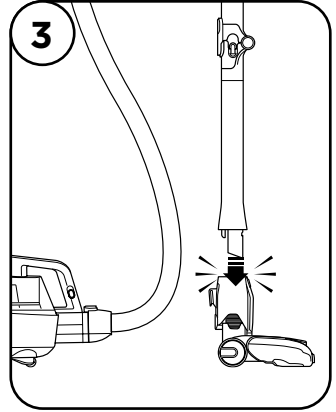
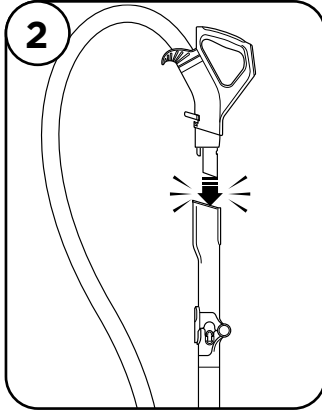
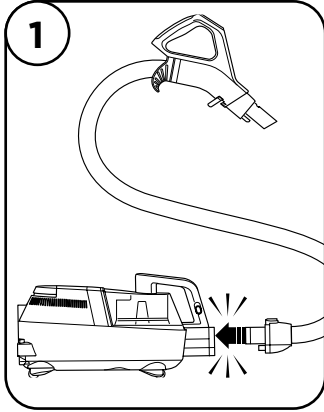


## ACCESSORIES INCLUDED

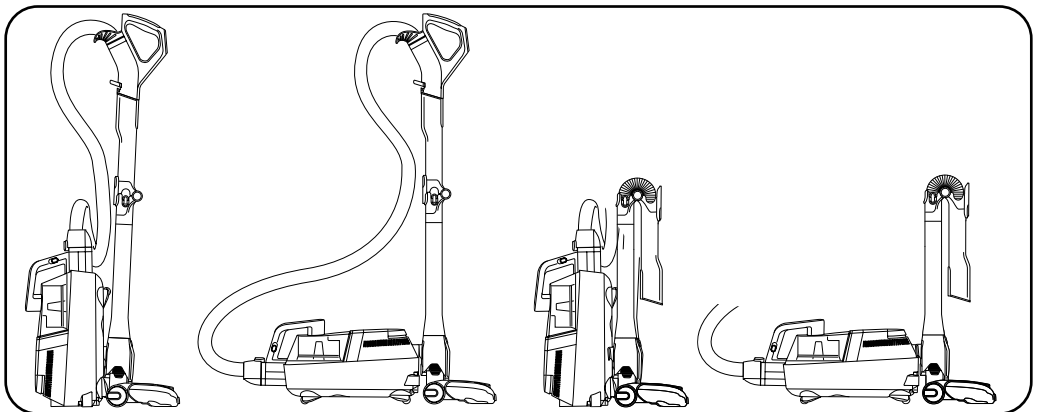
- A** Crevice Tool
- B** Pet Multi-Tool
- C** Self-Cleaning Pet Power Brush



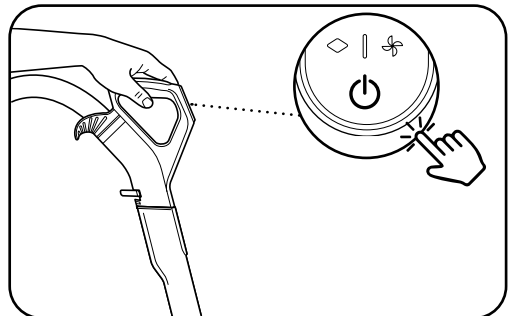
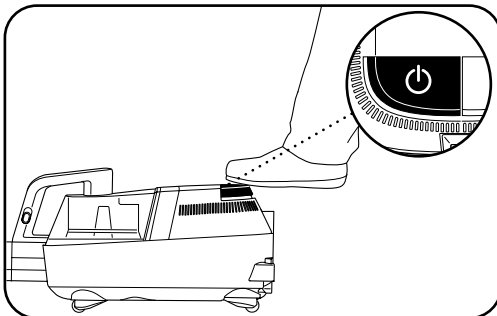
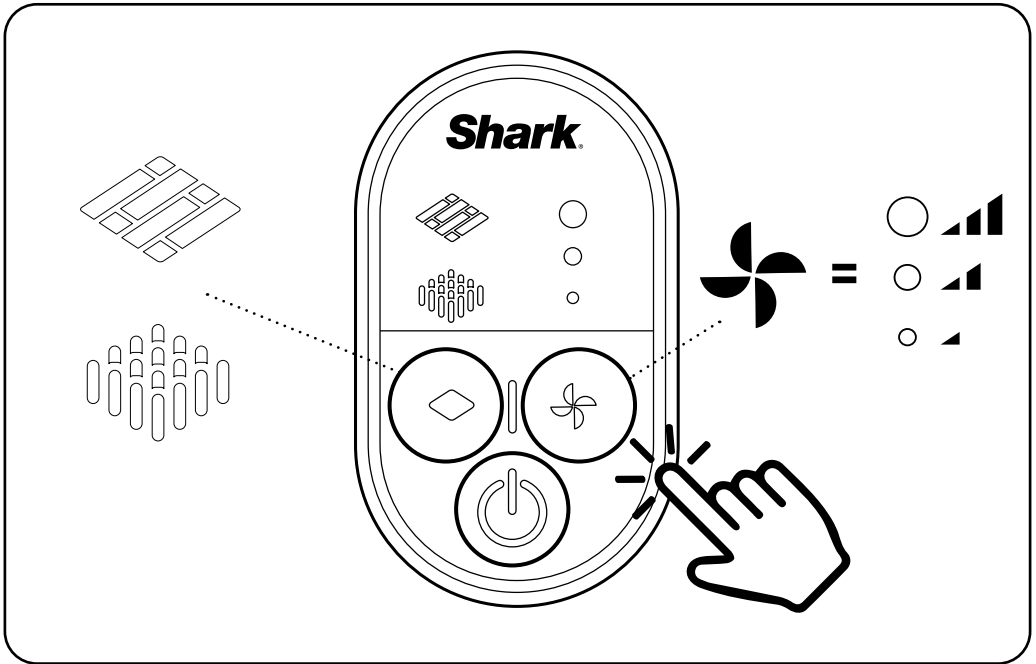
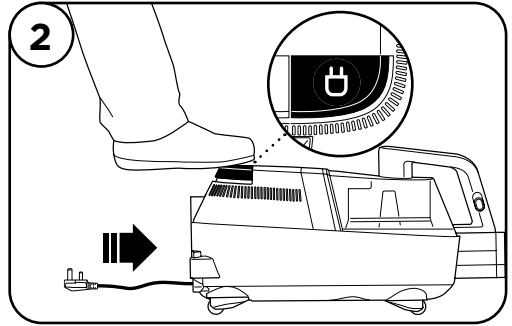
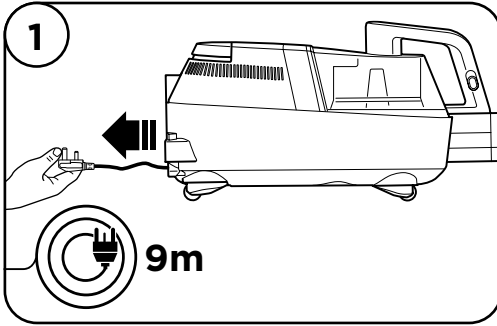
## ASSEMBLY



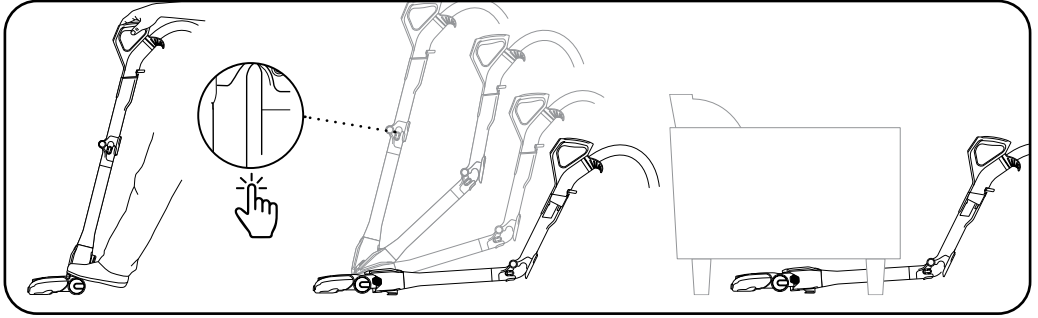
## STORAGE



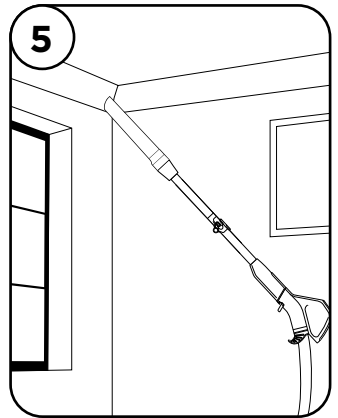
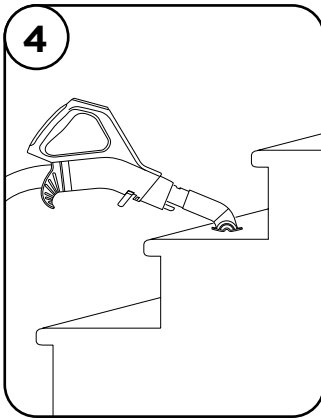
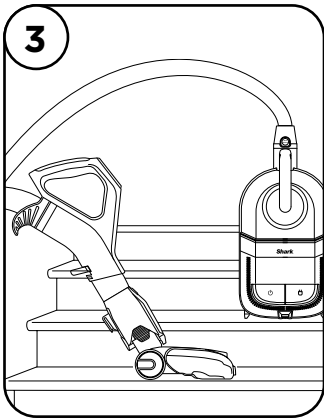
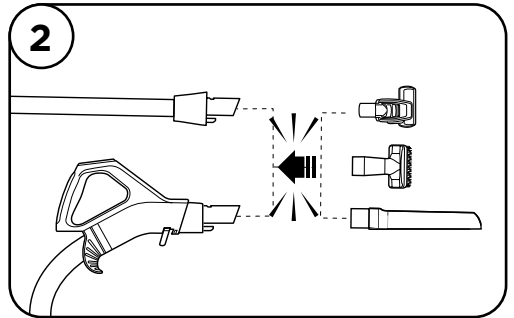
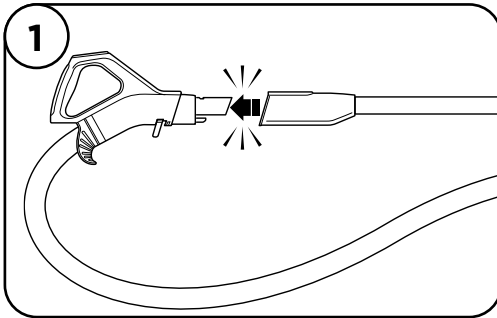
# OPERATING THE VACUUM



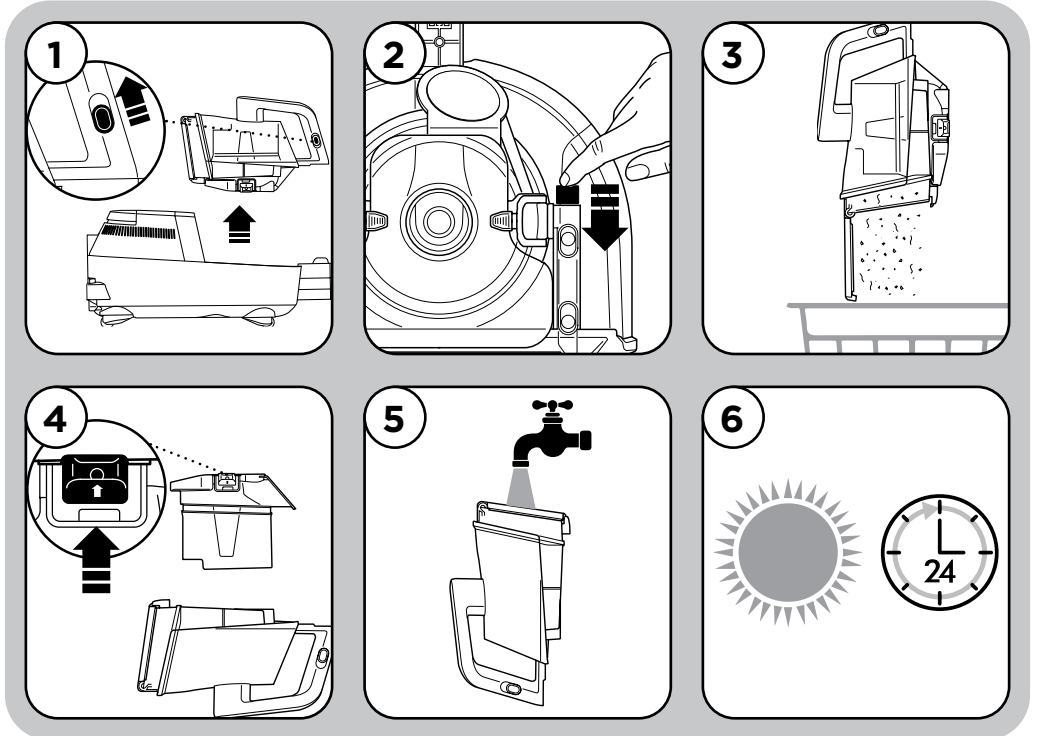
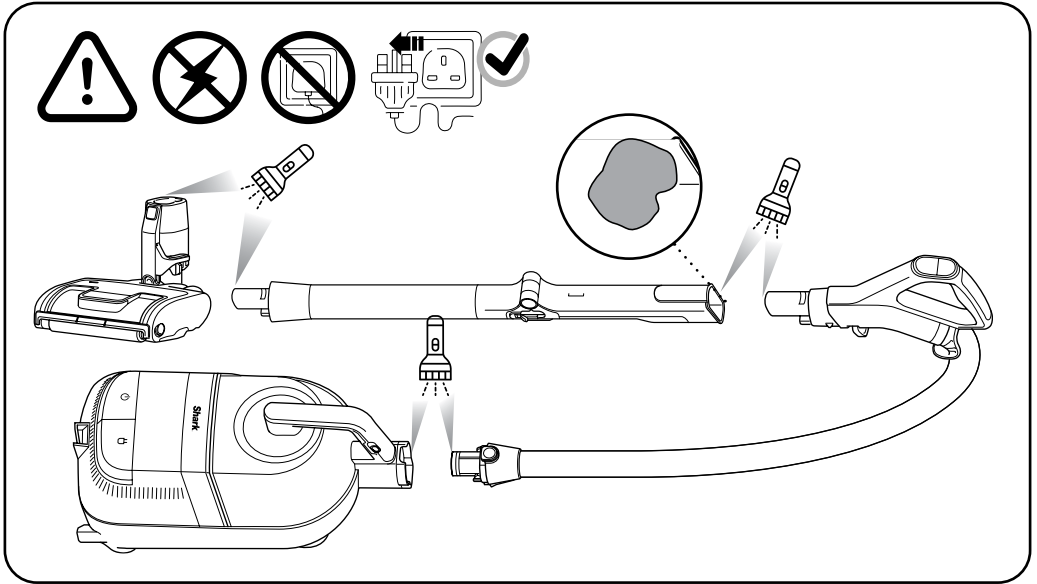
## OPERATING THE VACUUM



## OPERATING THE VACUUM WITH ACCESSORIES

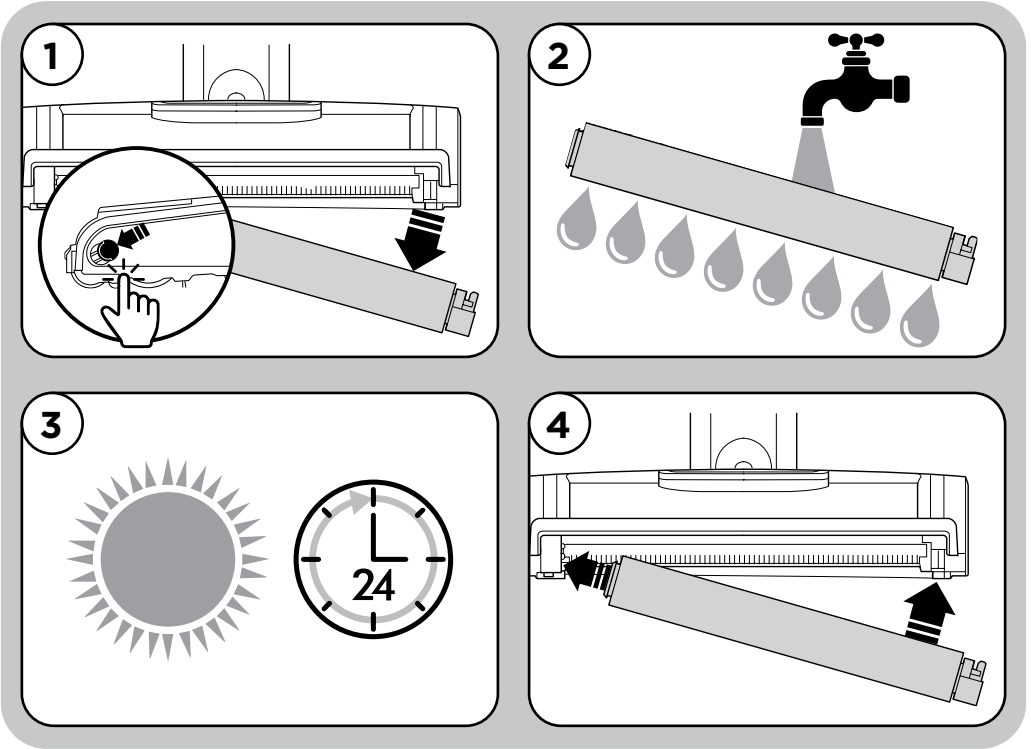


# MAINTENANCE

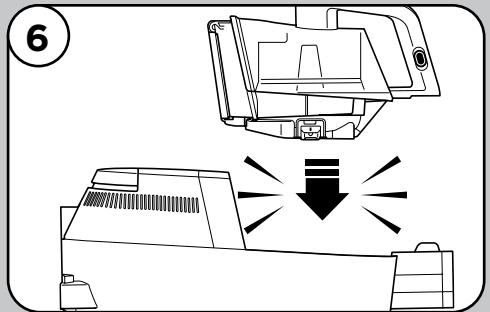
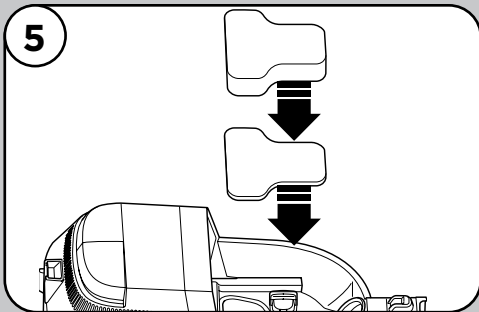
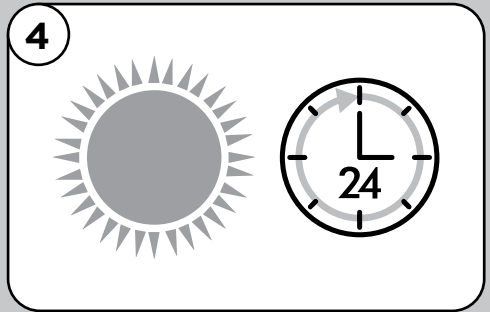
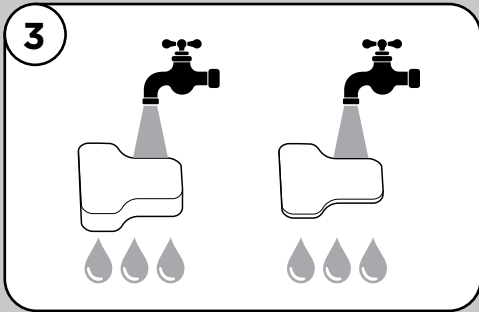
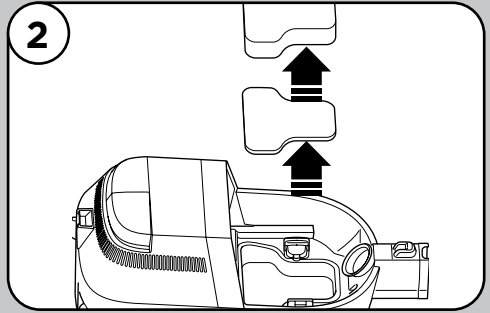
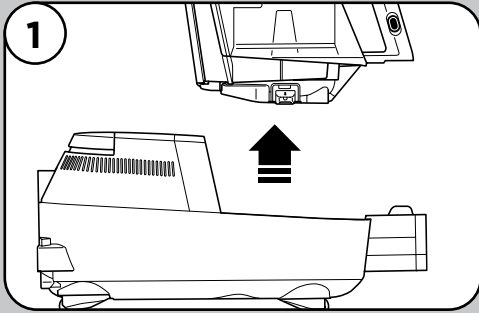
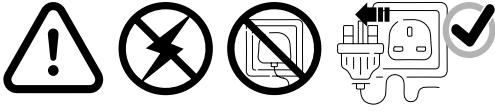




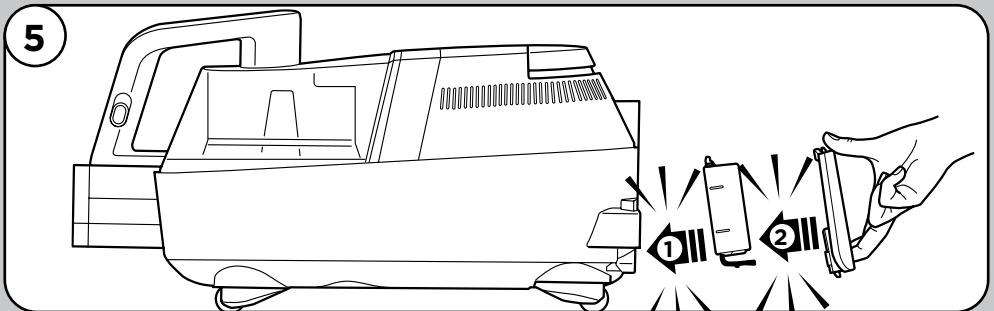
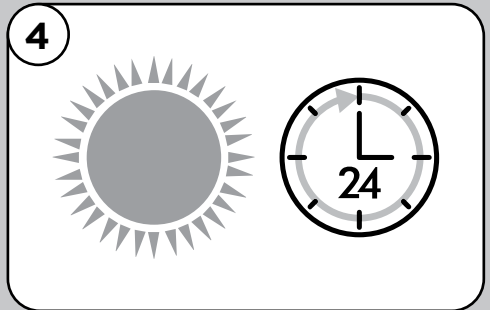
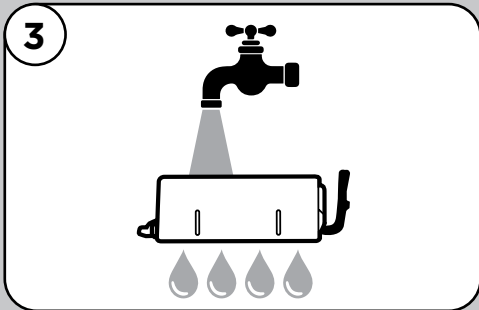
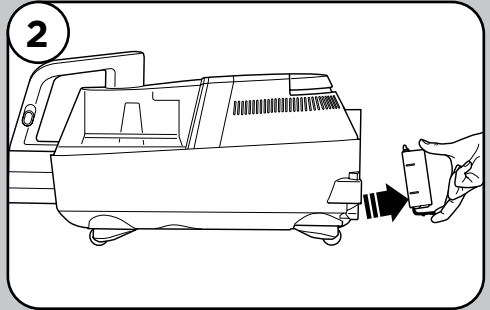
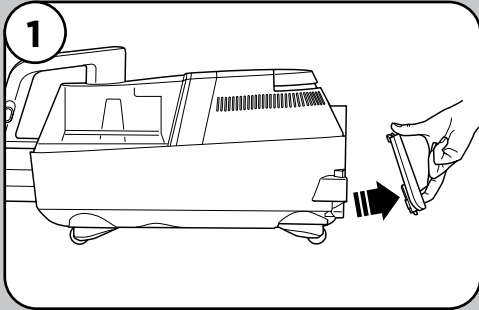
# MAINTENANCE



# MAINTENANCE



# MAINTENANCE



If your vacuum becomes defective due to faulty material or workmanship within a period of 2 years from the date of purchase, we warrant to do the following:

For New Zealand Consumers: We will replace the product with a new product, free of charge, or repair the product at our cost, at our discretion.

For Australian Consumers: Our goods come with guarantees that cannot be excluded under the Australian Consumer Law. You are entitled to a replacement or refund for a major failure and for compensation for any other reasonably foreseeable loss or damage. You are also entitled to have the goods repaired or replaced if the goods fail to be of acceptable quality and the failure does not amount to a major failure.

### **Your warranty is subject to the following conditions:**

DO NOT operate the appliance with a damaged plug or cord, or if the unit or battery has been dropped, damaged or dropped in water. To avoid the risk of electric shock, do not disassemble or attempt to repair the appliance on your own. If the charger cord is damaged, it must be replaced by a qualified electrician in order to avoid a hazard. Incorrect re-assembly or repair can cause a risk of electric shock or injury to persons when the appliance is used.

- The item has not been misused, abused, neglected, altered, modified or repaired by anyone.
- The item has been subjected to fair wear and tear.
- The item has not been used for trade, professional or hire purposes.
- The item has not sustained damage through foreign objects, substances or accident.

### **Your warranty does not cover:**

- Components that are subject to natural wear and tear caused by normal use in accordance with operating instructions.
- Unauthorised/improper maintenance/handling or overload is excluded from this warranty.
- Any additional property that may be damaged due to a fault or misuse of the product and/or component.

For guarantee claims, you will need to submit a proof of purchase in the form of a valid receipt that displays date and place of purchase.

This warranty does not replace but is in addition to your statutory rights.

This warranty does not apply to accessories supplied with the item.

This warranty applies only to the original purchaser and may not be transferred.

Replacement items will be covered by the limited warranty for the balance of the warranty period from the date of the original purchase.

### **Customer costs within warranty:**

The customer is responsible for any inwards freight charge to return a product for warranty if requested, and outward freight charge for warranty parts and or replacement unit.

### **Please note:**

Only the defective product or parts returned to place of purchase will be replaced under this warranty.





# Mann&Noble

## **Proudly distributed by**

Mann&Noble Pty Ltd  
Building D, 33 Quarry Road  
Erskine Park NSW 2759  
Australia

**AUS** 02 8801 7666

**NZ** 0800 112 660

### **Visit us at:**

[sharkclean.com.au](http://sharkclean.com.au)  
[sharkclean.co.nz](http://sharkclean.co.nz)

## **PLEASE READ CAREFULLY AND KEEP FOR FUTURE REFERENCE.**

This Owner's Guide is designed to help you get a complete understanding of your new Shark® Bagless Barrel Pet Vacuum with MultiFLEX®.

Illustrations may differ from actual product. We are constantly striving to improve our products; therefore the specifications contained herein are subject to change without notice.

For SharkNinja U.S. Patent information, visit [sharkninja.com/patents/](http://sharkninja.com/patents/)

---

© 2022 SharkNinja Operating LLC. MULTIFLEX and SHARK are a registered trademarks of SharkNinja Operating LLC. DUOCLEAN is a trademark of SharkNinja Operating LLC.

