

Shark

Corded Upright Vacuum with Lift-Away® Technology

NV612ANZ Series

INSTRUCTIONS



IMPORTANT SAFETY INSTRUCTIONS

FOR HOUSEHOLD USE ONLY • PLEASE READ ALL INSTRUCTIONS BEFORE USING THIS VACUUM.

IF YOU HAVE DELICATE OR WOOL CARPETS, PARTICULARLY LOOP PILE, PLEASE TRY THE VACUUM ON A HIDDEN AREA FIRST TO ENSURE THE SPINNING BRUSHROLLS DO NOT DAMAGE OR UNPICK CARPET FIBRES.

⚠ WARNING

REDUCE THE RISK OF FIRE, ELECTRIC SHOCK, INJURY, OR PROPERTY DAMAGE:

⚠ WARNING: Children should be supervised to ensure that they do not play with the appliance.

GENERAL WARNINGS

- 1** Inspect power cord and plug for any damage before use. **DO NOT** use vacuum cleaner with a damaged cord or plug. Turn off all controls before plugging in or unplugging the vacuum cleaner. Store your vacuum cleaner with the power cord secured around the two cord hooks. To minimize the risk of power cord damage, do not allow the motorised brushroll to ingest the cord. If this occurs, immediately shut off power to the vacuum and remove the cord.
- 2** Your vacuum cleaner consists of a motorised nozzle, wand, hose, and/or vacuum pod. This device contains electrical connections, electrical wiring, and moving parts that potentially present risk to the user.
- 3** Use only identical replacement parts.
- 4** Carefully observe and follow the instructions provided below to avoid improper use of the appliance. **DO NOT** use the vacuum for any purpose other than those described in this manual.
- 5** Before use, carefully inspect all parts for any damage. **DO NOT** use if any parts are damaged.
- 6** The use of an extension cord is **NOT** recommended.
- 7 CAUTION:** This vacuum cleaner contains electrical connections. This vacuum contains no serviceable parts.

USE WARNINGS

- 8** This appliance can be used by persons with reduced physical, sensory or mental capabilities or lack of experience and knowledge if they have been given supervision or instruction concerning use of the appliance in a safe way and understand the hazards involved.
- 9 DO NOT allow the appliance to be used by children.** Keep the appliance and its cord out of reach of children. Do not allow to be used as a toy. Close supervision is necessary when used near children.

CLEANING AND USE

- 10** Always turn off the vacuum cleaner before connecting or disconnecting any motorised nozzles or other accessories.
- 11 DO NOT** handle plug or vacuum cleaner with wet hands.
- 12 DO NOT** use without filters in place.
- 13** Only use Shark® branded filters and accessories. Damage caused by the use of non-Shark® parts may not be covered by your guarantee.
- 14 DO NOT** damage the power cord:
 - a) DO NOT** pull or carry vacuum cleaner by the cord or use the cord as a handle.
 - b) DO NOT** unplug by pulling on cord. Grasp the plug, not the cord.
 - c) DO NOT** run the vacuum cleaner over the power cord, close a door on the cord, pull the cord around sharp corners, or leave the cord near heated surfaces.

SAVE THESE INSTRUCTIONS

READ ALL INSTRUCTIONS BEFORE USE

- 15 DO NOT** put any objects into nozzle or accessory openings. **DO NOT** use with any opening blocked; keep free of dust, lint, hair, and anything that may reduce airflow.
- 16 DO NOT** use if nozzle or accessory airflow is restricted. If the air paths or the motorised floor nozzle become blocked, turn the vacuum cleaner off and unplug from electrical socket. Remove all obstructions before you plug in and turn on the unit again.
- 17** Keep nozzle and all vacuum openings away from hair, face, fingers, uncovered feet, or loose clothing.
- 18 DO NOT** use if vacuum cleaner is not working as it should, or has been dropped, damaged, left outdoors, or dropped into water.
- 19** If the supply cord is damaged, it must be replaced by the manufacturer in order to avoid a hazard.
- 20** Use extra care when cleaning on stairs.
- 21 DO NOT** leave the vacuum cleaner unattended while plugged in.
- 22** When powered on, keep the vacuum cleaner moving over the carpet surface at all times to avoid damaging the carpet fibres.
- 23 DO NOT** place vacuum cleaner on unstable surfaces such as chairs or tables.
- 24 DO NOT** use to pick up:
- a) Liquids
 - b) Large objects
 - c) Hard or sharp objects (glass, nails, screws, or coins)
 - d) Large quantities of dust (drywall dust, fireplace ash, or embers). **DO NOT** use as an attachment to power tools for dust collection.
 - e) Smoking or burning objects (hot coals, cigarette butts, or matches)
- f) Flammable or combustible materials (lighter fluid, petrol, or kerosene)
- g) Toxic materials (chlorine bleach, ammonia, or drain cleaner)
- 25 DO NOT** use in the following areas:
- a) Poorly lit areas
 - b) Wet or damp surfaces
 - c) Outdoor areas
 - d) Spaces that are enclosed and may contain explosive or toxic fumes or vapors (lighter fluid, petrol, kerosene, paint, paint thinners, mothproofing substances, or flammable dust)
Turn off all controls before plugging in or unplugging the vacuum.
- 26** Unplug from electrical socket when not in use and before any maintenance or cleaning.
- 27** To clean: Wipe down the unit with water only. Washing with cleaning chemicals could damage the unit.
- 28** During cleaning or routine maintenance, **DO NOT** cut anything other than hair, fibres, or string wrapped around the brushroll.
- 29** Allow all filters to air-dry completely before replacing in the vacuum to prevent liquid from being drawn into electrical parts.
- 30** Make sure the dust cup and all filters are in place after routine maintenance.
- 31** Secure the power cord around the two cord hooks during storage.

SAVE THESE INSTRUCTIONS

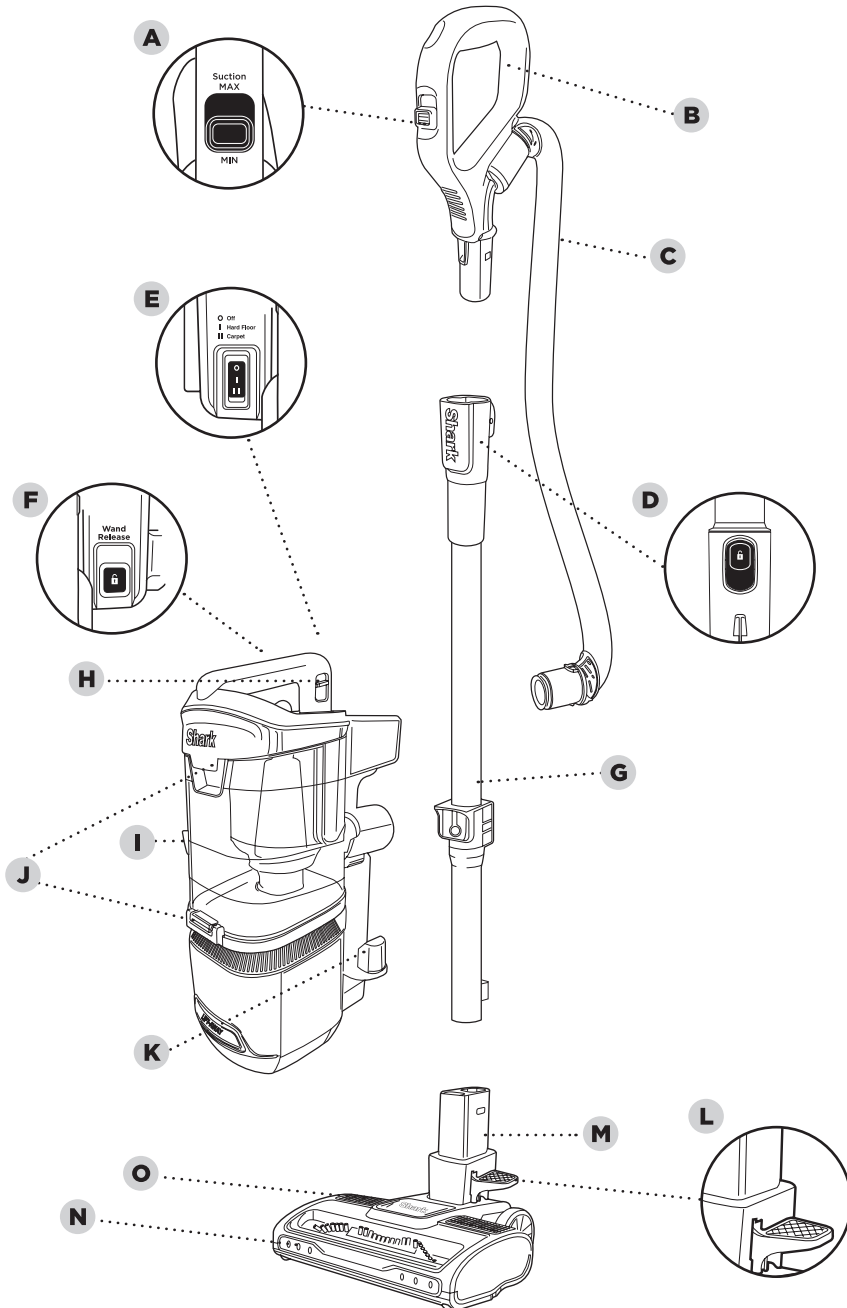
GETTING TO KNOW YOUR SHARK® CORDED UPRIGHT VACUUM WITH LIFT-AWAY® TECHNOLOGY.

WELCOME!

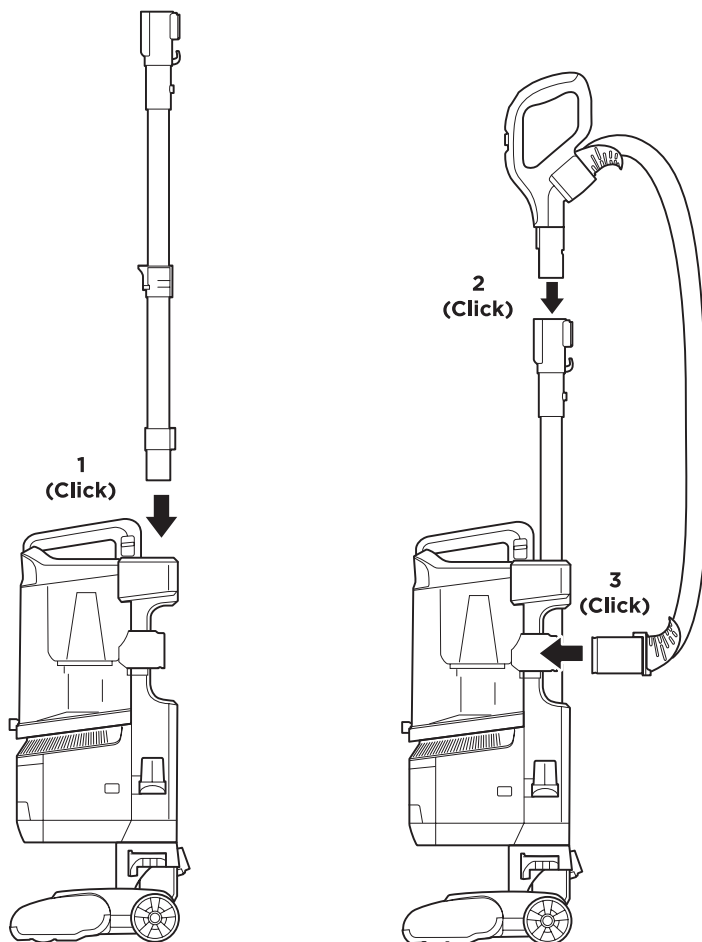
Congratulations on your purchase. Use this instruction manual to learn about your new vacuum's great features. From assembly to use to maintenance, you will find it all in here.

MAIN UNIT

- A** Suction Control Slider
- B** Handle
- C** Hose
- D** Handle Release Button
- E** Power Switch
- F** Wand Release Button
- G** Wand
- H** Dust-Cup Release Latch
- I** Lift-Away® Pod
- J** Dust-Cup Empty Buttons
- K** Lower Cord Hook
- L** Lift-Away® Foot Pedal
- M** Motorised Floor Nozzle
- N** Headlights
- O** Brushroll Indicator Light



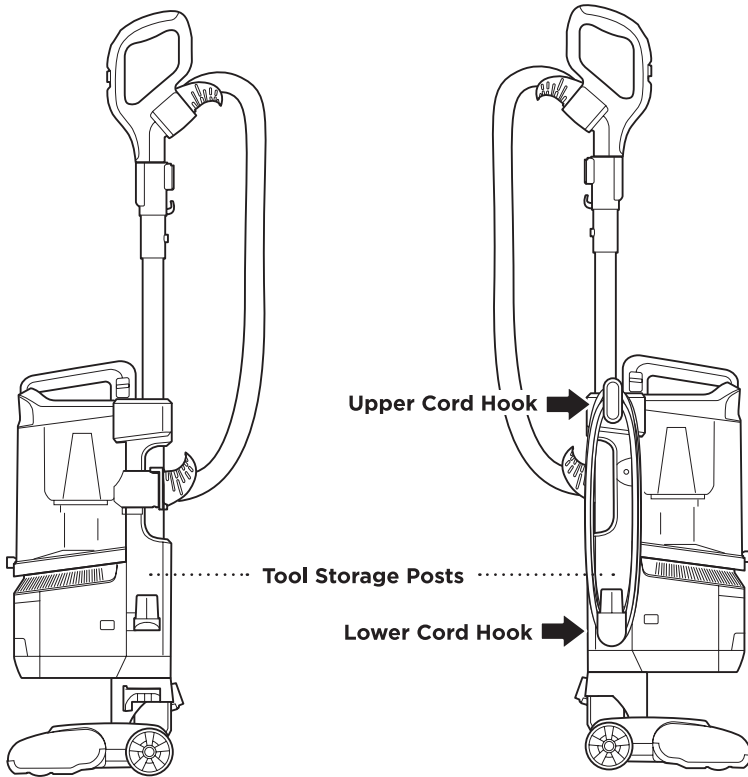
ASSEMBLY



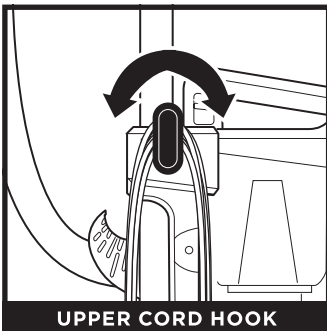
1. Insert **Wand** into pod
2. Insert **Handle** into wand.
3. Attach **Hose** to back of vacuum pod.

NOTE: Ensure all parts firmly **CLICK** into place before operating.

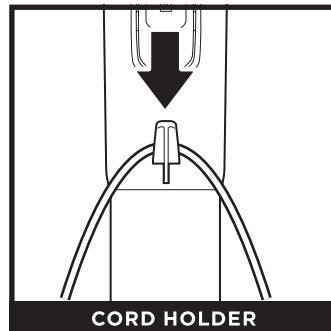
ASSEMBLY



POWER CORD

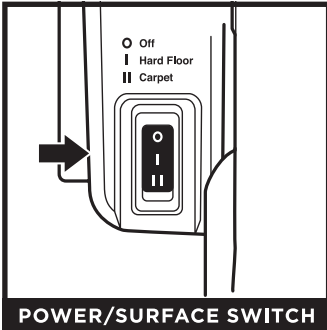


For cord access, rotate upper hook down and remove cord.



Use cord holder on the side of wand to hold cord in place while vacuuming.

SETTINGS



Select surface setting:

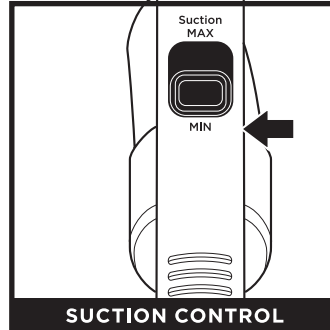
○ Power Off

I Hard Floor

For hard floors, small area rugs or delicate carpets - the brushroll will spin but at a slower speed.

II Carpet

For carpets.



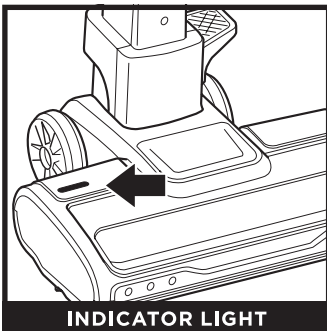
The **Suction Control Slider** located on the handle allows you to adjust the suction depending on the floor type.

MIN: to reduce suction and increase maneuverability on carpets.

MAX: to increase suction on hard floors.

NOTE: Brushroll will continue to spin in all modes.

BRUSHROLL INDICATOR LIGHT



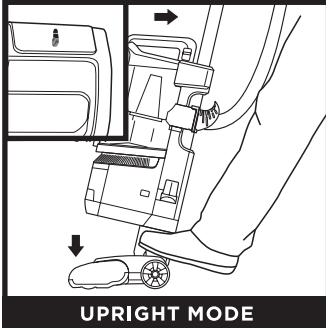
WHAT DOES THE BRUSHROLL INDICATOR LIGHT MEAN?

Solid Green: The brushroll is spinning and working as intended.

Solid Red: There is a jam in the brushroll area. Turn off and unplug the vacuum and remove any blockages in the nozzle.

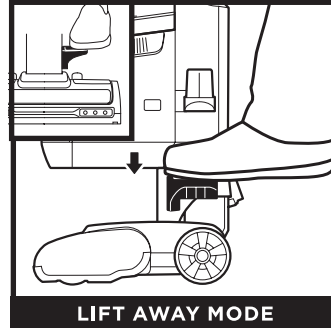
Flashing Red: The motorised floor nozzle is overheating. Turn the vacuum off and wait a minimum of 60 minutes for the unit to cool down.

CLEANING MODES



UPRIGHT MODE

To engage **brushroll**, step on floor nozzle and tilt handle back firmly.



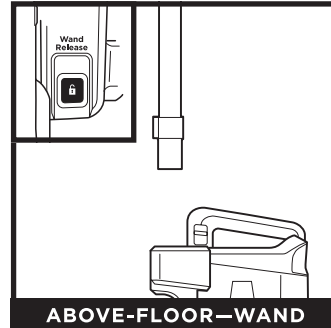
LIFT AWAY MODE

Step on the pedal on the floor nozzle to lift off the pod.



ABOVE-FLOOR—HANDLE

Press the **Handle Release** button and pull up on the handle to detach it from the wand.



ABOVE-FLOOR—WAND

Press the **Wand Release** button and pull up on the wand to detach it from the pod.



ACCESSORIES—HANDLE

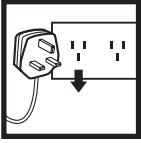
Attach an optional cleaning accessory to handle or wand.



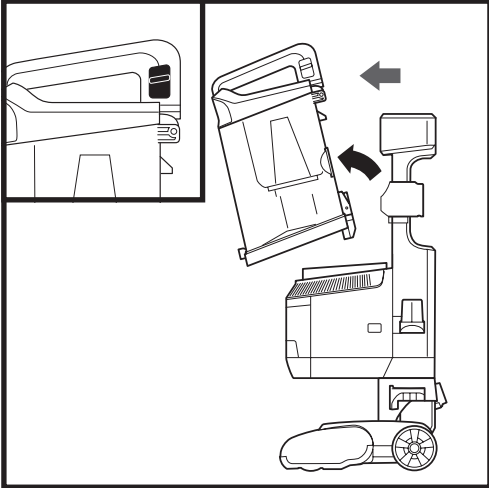
ACCESSORIES—WAND

NOTE: All accessories are compatible with both the wand and the handle. Included accessories will vary by model.

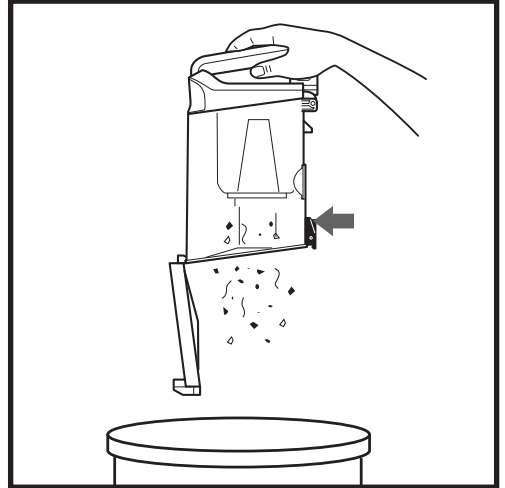
EMPTYING THE DUST CUP



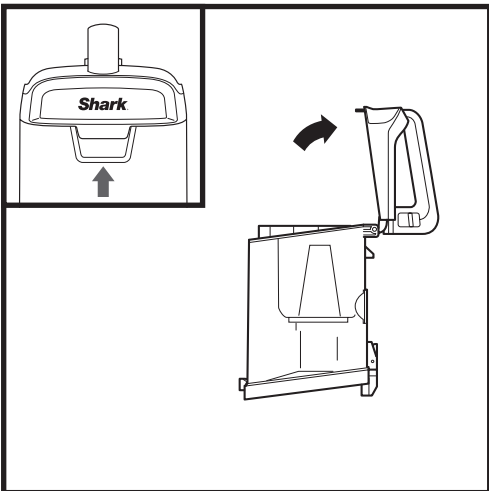
IMPORTANT: Unplug the power cord before performing any maintenance.



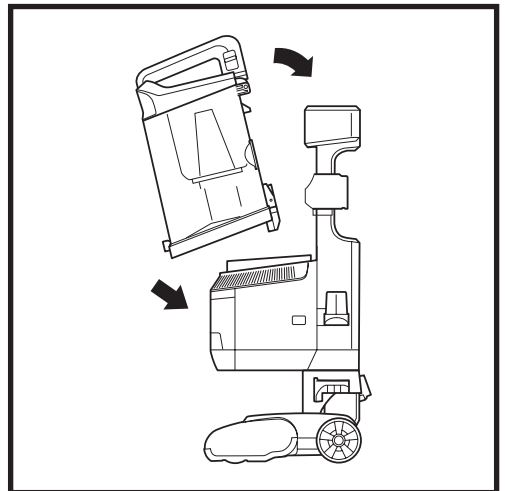
To remove **Dust Cup**, pull up on the release button located on the side of dust cup handle. Tilt dust cup forward, then lift to remove.



Hold the dust cup over the bin and press the release button to open bottom of dust cup.



To remove collected debris from **Lint Screen**, lift the tab at the top of the dust cup to open the lid. Remove debris from lint screen to clean.



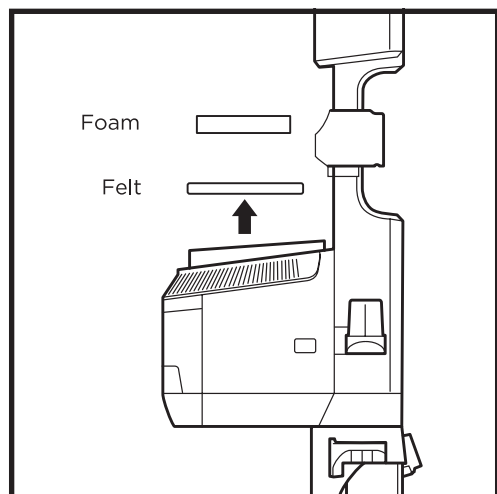
To reattach, place the bottom of dust cup onto the pod and then tilt until it clicks into place.

CLEANING THE FILTERS

Regularly rinse the filters to maintain your vacuum's suction power.

Rinse filters with cold water only. Allow all filters to air-dry for at least 24 hours before reinstalling them to prevent liquid from being drawn into electronic parts.

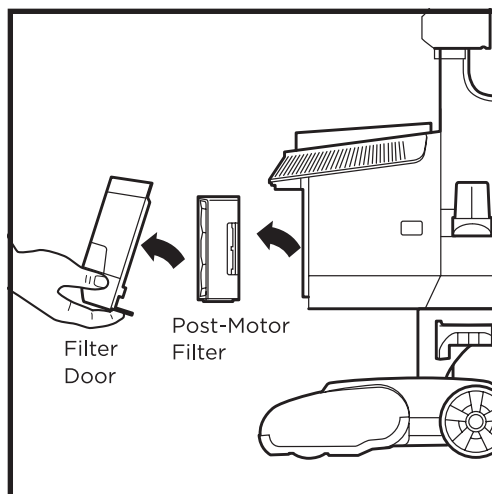
IMPORTANT: DO NOT use soap when cleaning the filters.



RINSE PRE-MOTOR FILTERS
EVERY MONTH

1 Pre-Motor Filters (foam and felt):

With the dust cup removed, take out the foam and felt filters, and rinse with water. Tap loose dirt off filters between washes as needed.

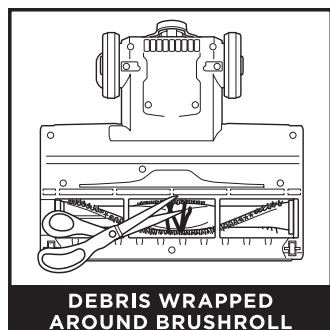


RINSE POST-MOTOR FILTER EVERY YEAR

To remove the **Post-Motor Filter**, first pull the tab on the bottom of the filter door, then lift off the door. Press the tab on the side of the Post-motor filter.

To reattach the door, align the top first, then press in the bottom until it clicks into place.

CLEANING THE BRUSHROLL

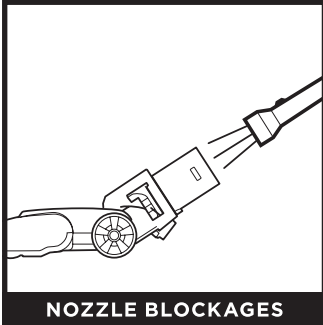


Clean off any debris on the bristles. Carefully use scissors within the brushroll groove to cut away any hair or debris wrapped around the brushroll.

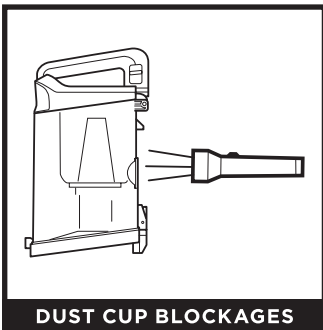
MAINTENANCE

CHECKING FOR BLOCKAGES

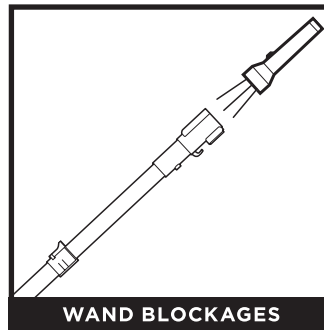
IMPORTANT: Unplug the cord before performing any maintenance.



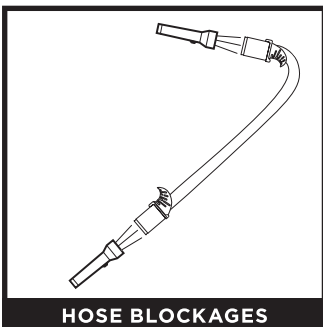
Check the opening at the top of the nozzle for any blockages.



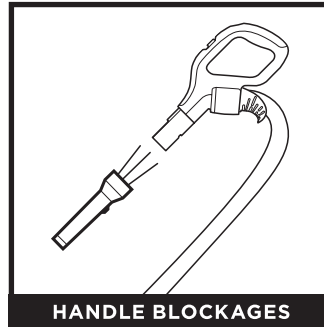
Detach dust cup from vacuum pod. Empty dust cup, remove debris from lint screen, and check for blockages.



Detach wand from pod and handle, and check both ends for blockages.



Detach hose from handle by pressing on the release button at the top of the hose. Detach the hose from the pod, and check openings for blockages.



Detach handle from wand and check openings for blockages.

NOTE: Torch not included.

AVAILABLE ACCESSORIES

A Crevice Tool

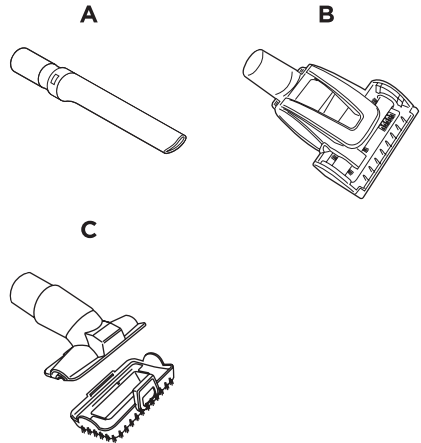
Clean in corners and other tight spaces or reach skirting boards and ceilings with this slim crevice tool.

B Pet Power Brush

Picks up pet hair and loose debris, and powerfully deep cleans dander out of upholstery and other surfaces.

C Multi-Surface Tool

A single convertible tool for cleaning tough pet messes two ways: use the stiff bristle brush to clean stuck-on debris, or take off the bristles to reveal an upholstery tool perfect for removing stubborn pet hair and large piles of debris.



NOTE: Not all accessories come with all units. Please refer to the **packaging panels** for your unit's configuration. To order additional accessories, visit AU sharkclean.com.au NZ sharkclean.co.nz

⚠ WARNING: To reduce the risk of shock and unintended operation, turn power off and unplug unit before servicing.

Vacuum is not picking up debris. No suction or light suction.

(Refer to Maintenance section for more information.)

- Check filters to see if they need cleaning. Follow instructions for rinsing and drying the filters before re-inserting back into the vacuum.
- Dust cup may be full; empty dust cup.
- Check hose, hose connections, nozzles, and accessories for blockages; clear blockages if required.
- Remove any string, carpet fibres or hair that may be wrapped around the brushroll.

Vacuum lifts area rugs.

- Turn off the unit to disengage the brushroll and restart with the POWER button for suction only cleaning.
- Suction is powerful. Take care when vacuuming area rugs or rugs with delicately sewn edges.
- Turn off the unit and disengage the area rug from the brushroll and restart the unit.

Brushroll does not spin.

- If brushroll indicator light on the floor nozzle turns red, the brushroll has stopped spinning. Immediately turn off and unplug vacuum, disconnect the nozzle and remove blockage before reconnecting and turning vacuum back on.
- Pull the handle toward you and release the floor nozzle to disengage the auto-off feature.
- Immediately turn off and unplug vacuum, disconnect the nozzle and remove blockage before reconnecting and turning vacuum back on.

Vacuum turns off on its own or brushroll Indicator Light flashes red.

This vacuum cleaner is equipped with a motor protective thermostat. If for some reason your vacuum overheats, the thermostat will automatically turn the suction motor off. Should this occur, perform the following steps to restart the thermostat:

1. Turn the unit off.
2. Unplug the vacuum.
3. Empty the dust cup and clean filters (see page previous page)
4. Check for blockages in hose, accessories and inlet openings.
5. Allow the unit to cool for a minimum of 45 minutes.
6. Plug in the vacuum.
7. Restart the unit by turning the power on.

Note: If vacuum still does not start, visit AU: sharkclean.com.au/support

NZ: sharkclean.co.nz/support or contact customer service AU 02 8801 7666 NZ 0800 112 660

LIMITED WARRANTY • TWO (2) YEARS

If your vacuum becomes defective due to faulty material or workmanship within a period of 2 years from the date of purchase, we warrant to do the following:

For New Zealand Consumers: We will replace the product with a new product, free of charge, or repair the product at our cost, at our discretion.

For Australian Consumers: Our goods come with guarantees that cannot be excluded under the Australian Consumer Law. You are entitled to a replacement or refund for a major failure and for compensation for any other reasonably foreseeable loss or damage. You are also entitled to have the goods repaired or replaced if the goods fail to be of acceptable quality and the failure does not amount to a major failure.

Your warranty is subject to the following conditions:

DO NOT operate the appliance with a damaged plug or cord, or if the unit or battery has been dropped, damaged or dropped in water. To avoid the risk of electric shock, do not disassemble or attempt to repair the appliance on your own. If the charger cord is damaged, it must be replaced by a qualified electrician in order to avoid a hazard. Incorrect re-assembly or repair can cause a risk of electric shock or injury to persons when the appliance is used.

- The item has not been misused, abused, neglected, altered, modified or repaired by anyone.
- The item has been subjected to fair wear and tear.
- The item has not been used for trade, professional or hire purposes.
- The item has not sustained damage through foreign objects, substances or accident.

Your warranty does not cover:

- Components that are subject to natural wear and tear caused by normal use in accordance with operating instructions.
- Unauthorised/improper maintenance/handling or overload is excluded from this warranty.
- Any additional property that may be damaged due to a fault or misuse of the product and/or component.

For guarantee claims, you will need to submit a proof of purchase in the form of a valid receipt that displays date and place of purchase.

This warranty does not replace but is in addition to your statutory rights.

This warranty does not apply to accessories supplied with the item.

This warranty applies only to the original purchaser and may not be transferred.

Replacement items will be covered by the limited warranty for the balance of the warranty period from the date of the original purchase.

Customer costs within warranty:

The customer is responsible for any inwards freight charge to return a product for warranty if requested, and outward freight charge for warranty parts and or replacement unit.

Please note:

Only the defective product or parts returned to place of purchase will be replaced under this warranty.

REGISTER YOUR PURCHASE



sharkclean.com.au
sharkclean.co.nz

Benefits of registering your product and creating an account:

- Get easier, faster product support and access to warranty information
- Access troubleshooting and product care instructions
- Be among the first to know about exclusive product promotions

RECORD THIS INFORMATION

Model Number: _____

Serial Number: _____

Date of Purchase: _____
(Keep receipt)

Store of Purchase: _____

TECHNICAL SPECIFICATIONS

Voltage: 220-240V~, 50-60Hz

Body Motor Watts: 750W

Nozzle Watts: 80W

Mann&Noble

Proudly distributed by

Mann&Noble Pty Ltd
Building D, 33 Quarry Road
Erskine Park NSW 2759
Australia

AUS 02 8801 7666

NZ 0800 112 660

Visit us at:

sharkclean.com.au

sharkclean.co.nz

PLEASE READ CAREFULLY AND KEEP FOR FUTURE REFERENCE.

This Owner's Guide is designed to help you get a complete understanding of your new Shark® Corded Upright Vacuum with Lift-Away® Technology.

Illustrations may differ from actual product. We are constantly striving to improve our products; therefore the specifications contained herein are subject to change without notice.

For SharkNinja U.S. Patent information, visit sharkninja.com/patents/

© 2021 SharkNinja Operating LLC. LIFT-AWAY and SHARK are registered trademarks of SharkNinja Operating LLC.

