

# ***Shark***<sup>®</sup>

## **Navigator™ Pet with Self-Cleaning Brushroll**

ZU62ANZ

**OWNER'S GUIDE**

---



# IMPORTANT SAFETY INSTRUCTIONS

FOR HOUSEHOLD USE ONLY • PLEASE READ CAREFULLY BEFORE USE

If the plug does not fit fully into the outlet, reverse the plug. If it still does not fit, contact a qualified electrician. **DO NOT** force into outlet or try to modify to fit.

## **⚠ WARNING**

To reduce the risk of fire, electric shock, injury, or property damage:

### GENERAL WARNINGS

**When using an electrical appliance, basic precautions should always be followed, including the following:**

1. Your vacuum cleaner may consist of a motorised nozzle, wand, hose, and/or vacuum canister. This device contains electrical connections, electrical wiring, and moving parts that potentially present risk to the user.
2. Use only identical replacement parts.
3. Carefully observe and follow the instructions provided below to avoid improper use of the appliance. **DO NOT** use the vacuum for any purpose other than those described in this manual.
4. Before use, carefully inspect all parts for any damage. **DO NOT** use if any parts are damaged.
5. The use of an extension cord is **NOT** recommended.
6. This vacuum cleaner contains no serviceable parts.

### USE WARNINGS

7. This appliance can be used by persons with reduced physical, sensory or mental capabilities or lack of experience and knowledge if they have been given supervision or instruction concerning use of the appliance in a safe way and understand the hazards involved. Cleaning and user maintenance shall not be made by children. Keep the appliance and its cord out of reach of children. **DO NOT** allow the appliance to be used by children. **DO NOT** allow to be used as a toy. Close supervision is necessary when used near children.

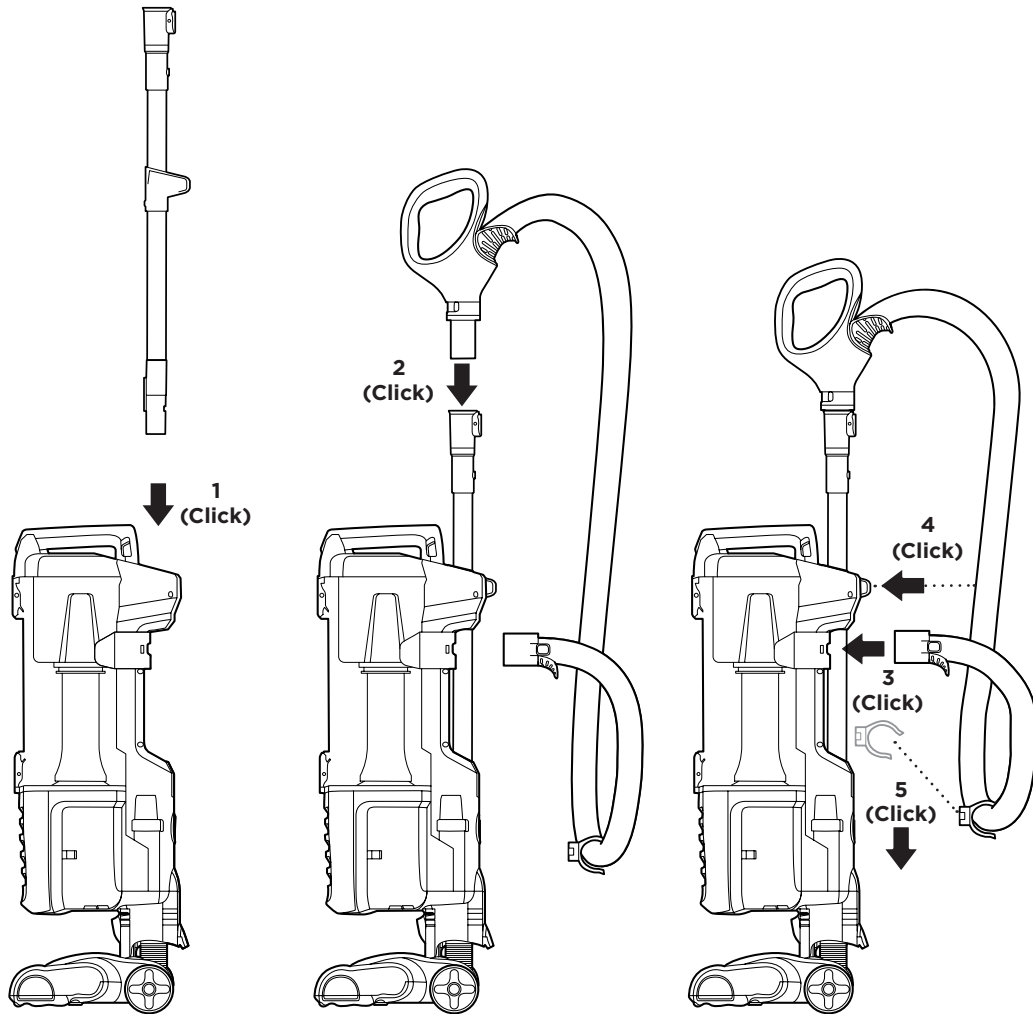
8. Always turn off the vacuum cleaner before connecting or disconnecting any motorised nozzles or other accessories.
9. **DO NOT** handle plug or vacuum cleaner with wet hands.
10. **DO NOT** use without filters in place.
11. Only use Shark® branded filters and accessories. Failure to do so will also void the warranty.
12. **DO NOT** damage the power cord:
  - a) **DO NOT** pull or carry vacuum cleaner by the cord or use the cord as a handle.
  - b) **DO NOT** unplug by pulling on cord. Grasp the plug, not the cord.
  - c) **DO NOT** run the vacuum cleaner over the power cord, close a door on the cord, pull the cord around sharp corners, or leave the cord near heated surfaces.
13. **DO NOT** put any objects into nozzle or accessory openings. **DO NOT** use with any opening blocked; keep free of dust, lint, hair, and anything that may reduce airflow.
14. **DO NOT** use if nozzle or accessory airflow is restricted. If the air paths or the motorised floor nozzle become blocked, turn the vacuum cleaner off and unplug from electrical outlet. Remove all obstructions before you plug in and turn on the unit again.
15. Keep nozzle and all vacuum openings away from hair, face, fingers, uncovered feet, or loose clothing.

16. **DO NOT** use if vacuum cleaner is not working as it should, or has been dropped, damaged, left outdoors, or dropped into water.
17. Use extra care when cleaning on stairs.
18. **DO NOT** leave the vacuum cleaner unattended while plugged in.
19. When powered on, keep the vacuum cleaner moving over the carpet surface at all times to avoid damaging the carpet fibers.
20. **DO NOT** place vacuum cleaner on unstable surfaces such as chairs or tables.
21. Your Shark® vacuum may not be designed to stand up on its own. When taking a break from cleaning, you may need to lean it against furniture or a wall, or lay it flat on the floor. Using the vacuum for an application where the unit lacks stability may result in personal injury.
22. **DO NOT** use to pick up:
  - a) Liquids
  - b) Large objects
  - c) Hard or sharp objects (glass, nails, screws, or coins)
  - d) Large quantities of dust (drywall dust, fireplace ash, or embers). **DO NOT** use as an attachment to power tools for dust collection.
  - e) Smoking or burning objects (hot coals, cigarette butts, or matches)
  - f) Flammable or combustible materials (lighter fluid, gasoline, or kerosene)
  - g) Toxic materials (chlorine bleach, ammonia, or drain cleaner)

23. **DO NOT** use in the following areas:
  - a) Poorly lit areas
  - b) Wet or damp surfaces
  - c) Outdoor areas
  - d) Spaces that are enclosed and may contain explosive or toxic fumes or vapors (lighter fluid, gasoline, kerosene, paint, paint thinners, mothproofing substances, or flammable dust)
24. Turn off all controls before plugging in or unplugging the vacuum.
25. Unplug from electrical outlet when not in use and before any maintenance or cleaning.
26. Hand wash with water only. Washing with cleaning chemicals could damage the unit.
27. During cleaning or routine maintenance, **DO NOT** cut anything other than hair, fibers, or string wrapped around the brushroll.
28. Allow all filters to air-dry completely before replacing in the vacuum to prevent liquid from being drawn into electric parts.
29. Make sure the dust cup and all filters are in place after routine maintenance.
30. If provided, secure the power cord around the two cord hooks during storage.

## SAVE THESE INSTRUCTIONS

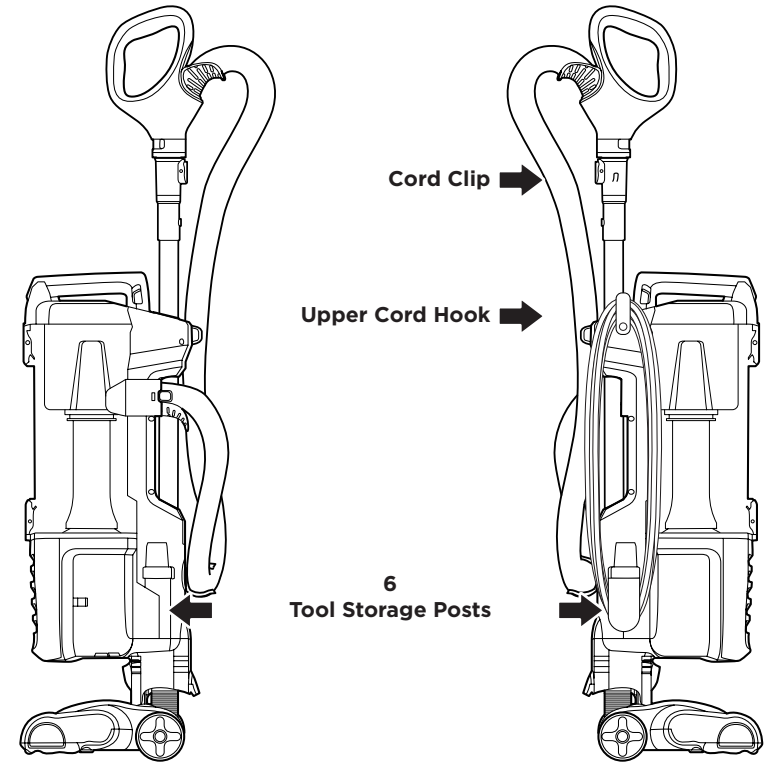
## ASSEMBLY



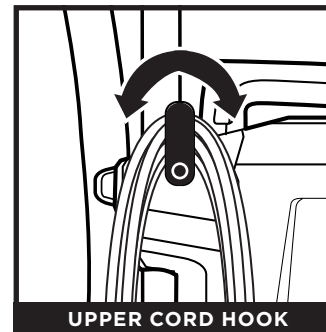
1. Insert **Wand** into **Pod**.
2. Insert **Handle** into wand.
3. Attach **Hose** to back of pod.
4. Attach hose to **Clip** on wand.
5. Insert **Hose Clip** onto base of pod and remove tape.
6. Store **Accessories** on tool storage posts.

For proper operation, ensure all parts are firmly clicked into place.

## ASSEMBLY

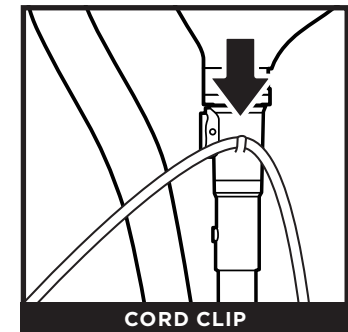


## POWER CORD



UPPER CORD HOOK

For cord access, rotate upper hook down and remove cord.

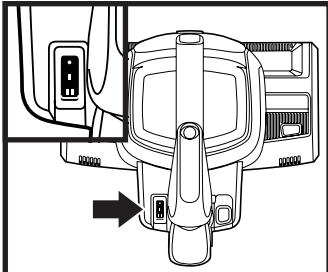


CORD CLIP

Use cord clip located on the side of wand to hold cord in place while vacuuming.

## WHOLE-HOME CLEANING

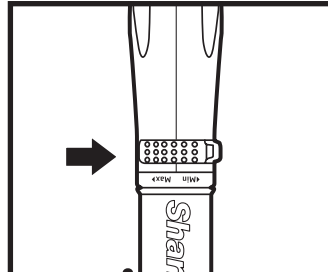
### SETTINGS



**POWER/SURFACE SWITCH**

Select surface setting:

- Power Off**
- I Hard Floor**  
For bare floors and small area rugs, the brushroll will spin slowly.
- II Carpet**  
For carpets, the brushroll will spin quickly to pick up stuck on debris.

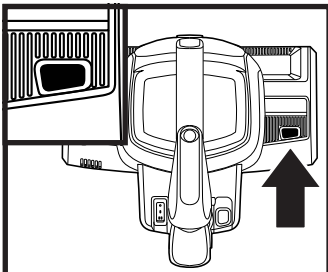


**SUCTION CONTROL**

The Suction Control slider located on the handle allows you to adjust the suction depending on the floor type.

- MIN:** to reduce suction and increase maneuverability on carpets.
- MAX:** to increase suction on bare floors.

### BRUSHROLL INDICATOR LIGHT



**INDICATOR LIGHT**

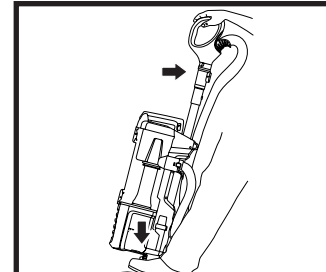
#### WHAT DOES THE BRUSHROLL INDICATOR LIGHT MEAN?

- Solid Green:** The brushroll is spinning and working as it should.
- Solid Red:** There is a jam in the brushroll area. Turn your vacuum off, unplug from the wall and remove any blockages in the nozzle.
- Flashing Red:** The motorised floor nozzle is overheating. Turn your vacuum off and wait a minimum of 60 minutes for it to cool down.

**NOTE:** For deep carpet cleaning per ASTM F608 (embedded dirt in carpets), set to **MAX** suction and use setting **II, Carpet**.

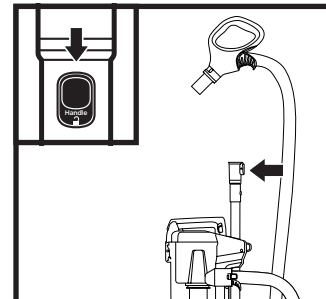
## WHOLE-HOME CLEANING

### CLEANING MODES



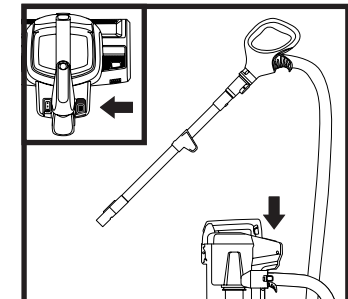
**UPRIGHT**

To engage brushroll, step on floor nozzle and tilt handle back.



**ABOVE-FLOOR—HANDLE**

Press the **Handle Release** button to detach the handle from the wand.

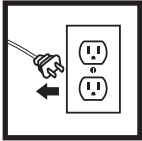


**ABOVE-FLOOR—WAND**

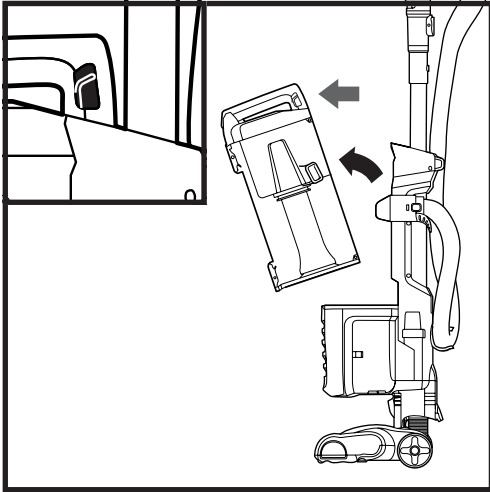
Press the **Wand Release** button to detach the wand from the pod.

**NOTE:** All accessories are compatible with both the wand and the handle.

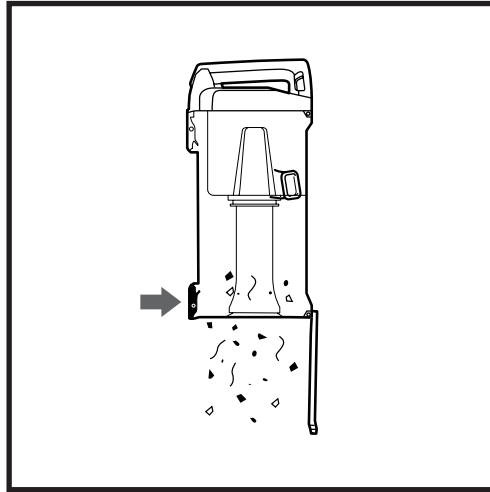
## EMPTYING THE DUST CUP



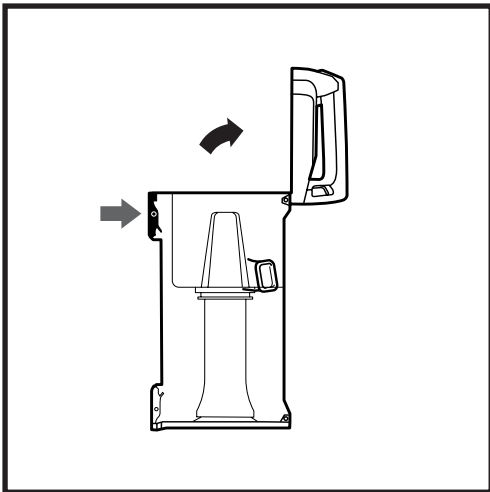
**IMPORTANT:** Unplug the power cord before performing any maintenance.



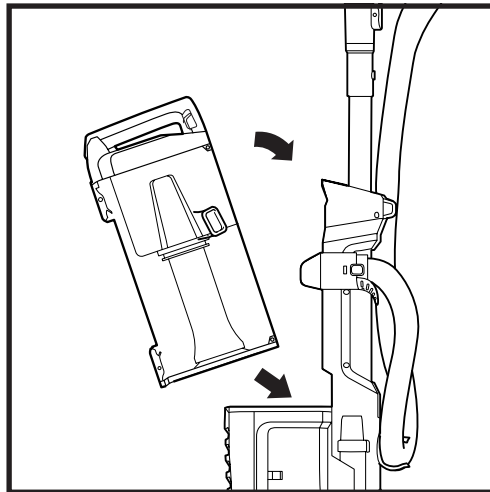
To remove **Dust Cup**, slide up the latch on top of dust cup handle. Tilt dust cup forward, then lift to remove.



Press lower release button to open bottom of dust cup.



To remove collected debris from **Lint Screen**, press top release button and lift handle to open. Gently brush lint screen to clean.



To reinstall, place bottom of dust cup into pod and then tilt back until it clicks into place.

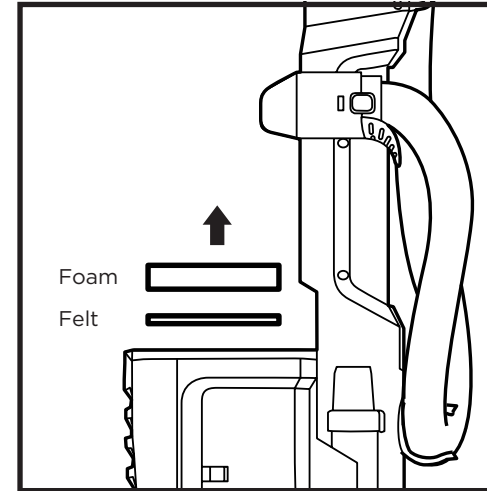
## CLEANING AND REPLACING THE FILTERS

### CLEANING FILTERS

**Regularly clean and replace the filters to keep your vacuum's suction power optimal.**

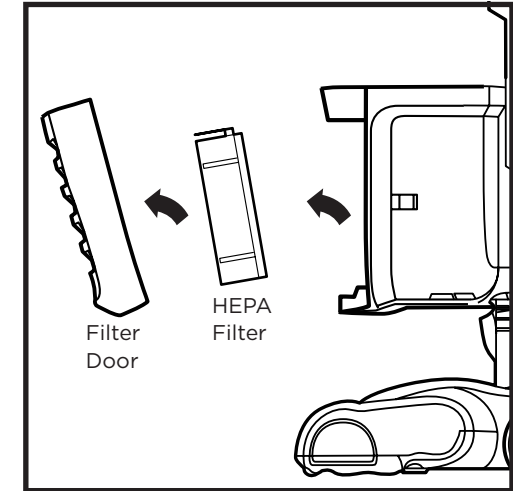
To prevent damage from cleaning chemicals rinse filters with cold water only. Allow all filters to air-dry for at least 24 hours before reinstalling them to prevent liquid from being drawn into electric parts.

**IMPORTANT: DO NOT** use soap when cleaning the filters.



CLEAN PRE-MOTOR FILTERS  
EVERY 3 MONTHS

Remove **Dust Cup**, then lift out **Filters**.

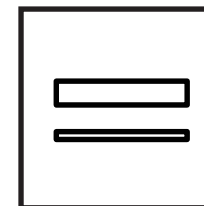


CLEAN HEPA FILTER  
EVERY YEAR

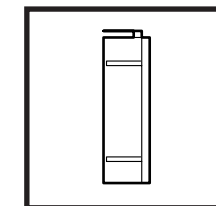
Press down top of **Filter Door**. Tilt **Filter Door** and lift out. Press tab at top of **HEPA Filter** and pull away from the base of the vacuum. To reinstall, insert HEPA filter into unit and replace the filter door.

### REPLACING FILTERS

Follow the previous instructions for removing filters. The **Pre-Motor Filter** should be replaced every 2.5 years. The **HEPA Filter** should be replaced every 3 years.



**Replacement  
Pre-Motor Foam &  
Felt Filter Kit**  
1239FT60



**Replacement  
HEPA Filter**  
1238FT60

**NOTE:** To order replacement parts and filters, visit [AU sharkclean.com.au](http://AU.sharkclean.com.au) or [NZ sharkclean.co.nz](http://NZ.sharkclean.co.nz).

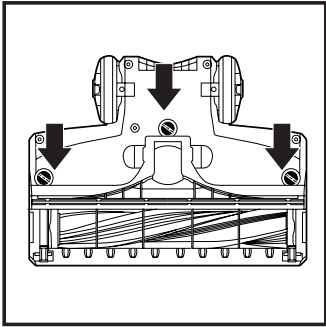
## MAINTENANCE

### Self-Cleaning Brushroll

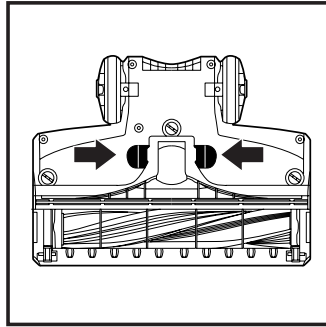
Shark's self-cleaning brushroll automatically removes hair wrap. If some hair remains wrapped around the brushroll, continue cleaning to give it time to make its way to the dust cup.

If you run over a hard or sharp object or notice a noise change while vacuuming, check for blockages or objects caught behind the brushroll.

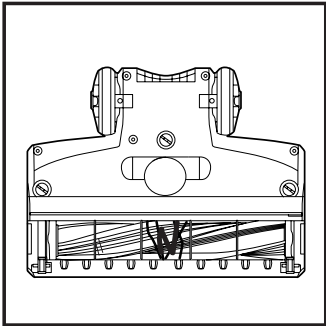
#### BRUSHROLL ACCESS



Using a coin, turn locks counterclockwise, then lift the door to access **Brushroll**.

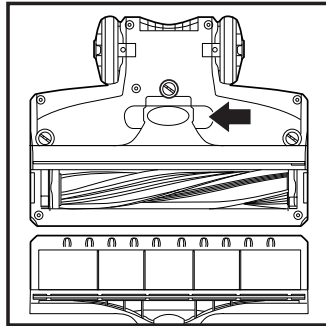


#### DEBRIS WRAPPED AROUND BRUSHROLL



Clean off any debris on the bristles.

#### DEBRIS BEHIND BRUSHROLL

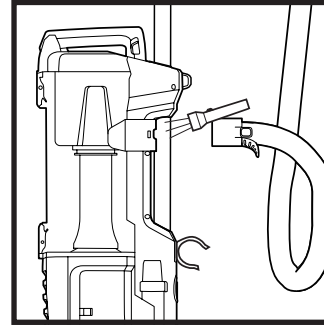


Clear away any dust, dirt, or blockages in **Debris Intake**.

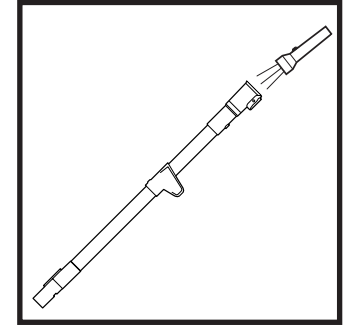
To close the cover, push down until it clicks into place, then close the locks with a coin.

**NOTE:** If any hair is wrapped around the brushroll, extending cleaning time will allow the self-cleaning brushroll remove it for you. If some fibers remain wrapped around brushroll after continued use, carefully cut debris with scissors and remove from brushroll.

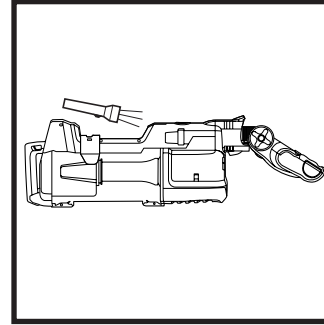
## CHECKING FOR BLOCKAGES



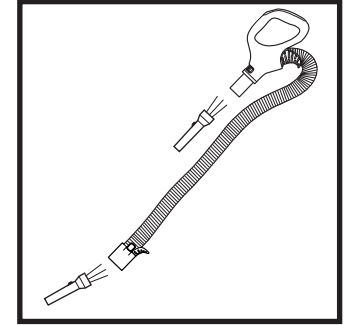
Detach hose from vacuum pod, and check hose and opening on back of pod for blockages.



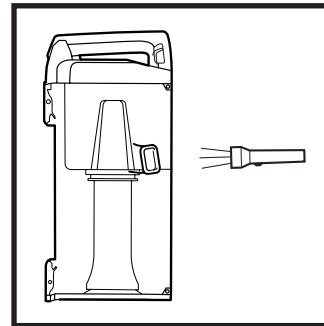
Detach wand from floor nozzle and handle, and check both ends for blockages.



Detach the wand from the pod, place the pod on its side, and check opening for blockages.



Detach the handle from the wand and the hose from the vacuum pod, and check openings for blockages.

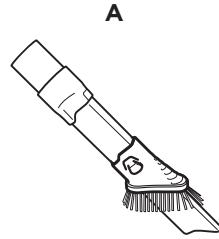


Detach dust cup from vacuum pod. Empty dust cup, remove debris from lint screen, and check for blockages.

## AVAILABLE ACCESSORIES FOR PURCHASE

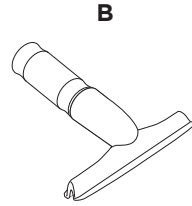
### A Duster Crevice Tool

Two cleaning tools in one. The crevice tool gives you extended reach to clean in tight spaces, while the soft brush is ideal for dusting delicate surfaces.



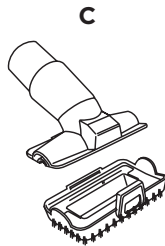
### B Wide Upholstery Tool

The wide cleaning path helps remove pet hair, dust, and large debris from mattresses, couches, curtains, lampshades, and other delicate upholstered surfaces.



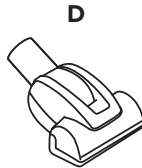
### C Hair Removal Multi-Tool

This convertible tool offers two ways to get rid of hair. Run the ridged brush over carpets to remove stuck-on hair, or detach the brush to use the upholstery tool to clean furniture and delicate surfaces.



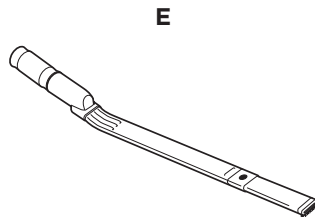
### D Pet Power Brush

The turbine brush loosens and removes pet hair and debris from carpets, and powerfully deep-cleans dander out of upholstery and other surfaces.



### E Under-Appliance Wand

Clean under and behind hard-to-move appliances and furniture with this adjustable 36" tool. Flip the extension piece over to clean the underside of appliances.



**NOTE:** Not all accessories come with all units. Please see the enclosed Quick Start Guide for your unit's configuration. To order additional accessories, visit [sharkclean.com.au](http://sharkclean.com.au) or [sharkclean.co.nz](http://sharkclean.co.nz)

## TROUBLESHOOTING

### Vacuum is not picking up debris. No suction or light suction.

- Check filters to see if they need cleaning. Follow instructions for rinsing and air-drying the filters before reinserting in the vacuum.
- Dust cup may be full; empty dust cup.
- Check hose, hose connections, nozzle, wand, pod, and accessories for blockages. Clear any blockages found.

(Refer to Checking for Blockages section for more information.)

- If any string, carpet fibers, or hair is wrapped around the brushroll, extend cleaning time to allow the self-cleaning brushroll to remove it.
  - If some hair or fibers remain wrapped around brushroll after continued use, remove the floor nozzle cover and carefully cut debris with scissors and remove from brushroll. See Maintenance section for more information.

### Vacuum lifts area rugs.

- Make sure Power/Surface switch is set to Hard Floor (setting I).
- Reduce suction slide to the 'MIN' setting.

### Brushroll does not spin in carpet cleaning mode.

- If the Brushroll Indicator Light turns red, immediately turn off and unplug the vacuum. Remove pod from floor nozzle and clear any blockages. Reconnect nozzle, plug in vacuum, and turn on power.
- With the power on, recline the handle, which will automatically turn on the brushroll.
- Ensure that the Power/Surface switch is set to Carpet (setting II) for brushroll to spin.

### Vacuum turns off on its own or indicator light flashes red.

If your vacuum overheats, the thermostat will automatically turn the suction motor off. Perform the following steps to restart the thermostat:

1. Turn vacuum off and unplug it.
2. Empty dust cup and clean filters (see Emptying the Dust Cup and Cleaning and Replacing the Filters.).
3. Check for blockages in hose, wand, accessories, and inlet openings.
4. Allow unit to cool for a minimum of 60 minutes.
5. Plug in vacuum and turn it on.

## LIMITED WARRANTY • TWO (2) YEARS

If your vacuum becomes defective due to faulty material or workmanship within a period of 2 years from the date of purchase, we warrant to do the following:

For New Zealand Consumers: We will replace the product with a new product, free of charge, or repair the product at our cost, at our discretion.

For Australian Consumers: Our goods come with guarantees that cannot be excluded under the Australian Consumer Law. You are entitled to a replacement or refund for a major failure and for compensation for any other reasonably foreseeable loss or damage. You are also entitled to have the goods repaired or replaced if the goods fail to be of acceptable quality and the failure does not amount to a major failure.

### Your warranty is subject to the following conditions:

DO NOT operate the appliance with a damaged plug or cord, or if the unit or battery has been dropped, damaged or dropped in water. To avoid the risk of electric shock, do not disassemble or attempt to repair the appliance on your own. If the charger cord is damaged, it must be replaced by a qualified electrician in order to avoid a hazard. Incorrect re-assembly or repair can cause a risk of electric shock or injury to persons when the appliance is used.

- The item has not been misused, abused, neglected, altered, modified or repaired by anyone.
- The item has been subjected to fair wear and tear.
- The item has not been used for trade, professional or hire purposes.
- The item has not sustained damage through foreign objects, substances or accident.

### Your warranty does not cover:

- Components that are subject to natural wear and tear caused by normal use in accordance with operating instructions.
- Unauthorised/improper maintenance/handling or overload is excluded from this warranty.
- Any additional property that may be damaged due to a fault or misuse of the product and/or component.

For guarantee claims, you will need to submit a proof of purchase in the form of a valid receipt that displays date and place of purchase.

This warranty does not replace but is in addition to your statutory rights.

This warranty does not apply to accessories supplied with the item.

This warranty applies only to the original purchaser and may not be transferred.

Replacement items will be covered by the limited warranty for the balance of the warranty period from the date of the original purchase.

### Please note:

Only the defective product or parts returned to place of purchase will be replaced under this warranty.

## REGISTER YOUR PURCHASE



sharkclean.com.au  
Sharkclean.co.nz

Benefits of registering your product and creating an account:

- Get easier, faster product support and access to warranty information
- Access troubleshooting and product care instructions
- Be among the first to know about exclusive product promotions

## RECORD THIS INFORMATION

Model Number: \_\_\_\_\_

Serial Number: \_\_\_\_\_

Date of Purchase: \_\_\_\_\_  
(Keep receipt)

Store of Purchase: \_\_\_\_\_

## TECHNICAL SPECIFICATIONS

Voltage: 220-240V, 50-60Hz

Watts: 960W

Power Nozzle: 150W



# Mann&Noble

## **Proudly distributed by**

Mann&Noble P/L  
No.1 Southridge Unit Estate  
2 Southridge Street  
Eastern Creek  
NSW 2766 Australia

**AUS** 02 8801 7666

**NZ** 0800 112 660

## **Visit us at:**

[sharkclean.com.au](http://sharkclean.com.au)

[sharkclean.co.nz](http://sharkclean.co.nz)

## **PLEASE READ CAREFULLY AND KEEP FOR FUTURE REFERENCE.**

This Owner's Guide is designed to help you get a complete understanding of your new Shark® vacuum.

Illustrations may differ from actual product. We are constantly striving to improve our products; therefore the specifications contained herein are subject to change without notice.

For SharkNinja U.S. Patent information, visit [sharkninja.com/uspatents](http://sharkninja.com/uspatents)

---

© 2020 SharkNinja Operating LLC. SHARK is a registered trademark of SharkNinja Operating LLC. NAVIGATOR is a trademark of SharkNinja Operating LLC.

ZU62ANZ\_IB\_MP\_Mv5  
PRINTED IN CHINA



[@sharkcleanapac](https://www.instagram.com/sharkcleanapac)