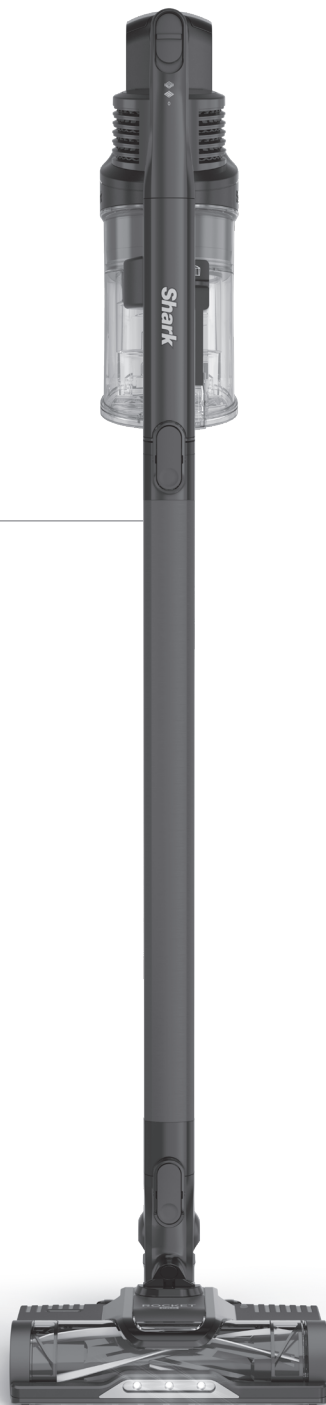


Shark

Cordless Vacuum with Self-Cleaning Brushroll

IZ102SM

OWNER'S GUIDE



IMPORTANT SAFETY INSTRUCTIONS

FOR HOUSEHOLD USE ONLY • PLEASE READ ALL INSTRUCTIONS BEFORE USING THIS VACUUM.

If the charging cord plug does not fit fully into the outlet, reverse the plug. If it still does not fit, contact a qualified electrician. DO NOT force into outlet or try to modify to fit.

To reduce the risk of shock and unintended operation, turn off power and remove the Li-Ion battery before servicing.

⚠ WARNING

To reduce the risk of fire, electric shock, injury, or property damage:

THE FLOOR NOZZLE, WAND, AND HANDHELD VACUUM CONTAIN ELECTRICAL CONNECTIONS:

1. This vacuum consists of a motorized nozzle, wand, and handheld vacuum. These components contain electrical connections, electrical wiring, and moving parts that potentially present risk to the user.
2. Before each use, carefully inspect all parts for any damage. If a part is damaged, discontinue use.
3. Use only identical replacement parts.
4. This vacuum contains no serviceable parts.
5. Use only as described in this manual. **DO NOT** use the vacuum for any purpose other than those described in this manual.
6. With the exception of the filters and dust cup, **DO NOT** expose any parts of the vacuum to water or other liquids.
7. Keep the appliance and its cord out of reach of children. Do not allow the appliance to be used by children. **DO NOT** allow to be used as a toy. Close supervision is necessary when used near children.

GENERAL USE

8. This appliance can be used by persons with reduced physical, sensory or mental capabilities or lack of experience and knowledge if they have been given supervision or instruction concerning use of the appliance in a safe way and understand the hazards involved. Cleaning and user maintenance shall not be made by children.
9. Always turn off the vacuum before connecting or disconnecting any current carrying hoses, motorized nozzles, chargers, batteries, or other electrical or mechanical parts.
10. **DO NOT** handle plug or vacuum with wet hands.
11. **DO NOT** use without dust cup, filters, and brushroll in place.
12. Only use Shark® branded filters and accessories. Failure to do so will void the warranty.
13. **DO NOT** put any objects into nozzle or accessory openings. **DO NOT** use with any opening blocked; keep free of dust, lint, hair, and anything that may reduce airflow.
14. **DO NOT** use if nozzle or accessory airflow is restricted. If the air paths or the motorized floor nozzle become blocked, turn the vacuum off. Remove all obstructions before you turn on the unit again.
15. Keep nozzle and all vacuum openings away from hair, face, fingers, uncovered feet, or loose clothing.
16. **DO NOT** use if vacuum is not working as it should, or has been dropped, damaged, left outdoors, or dropped into water.
17. Use extra care when cleaning on stairs.
18. **DO NOT** leave the vacuum unattended while powered on.
19. When powered on, keep the vacuum moving over the carpet surface at all times to avoid damaging the carpet fibers.
20. **DO NOT** place vacuum on unstable surfaces such as chairs or tables.

- 21. DO NOT** use to pick up:
- a) Liquids
 - b) Large objects
 - c) Hard or sharp objects (glass, nails, screws, or coins)
 - d) Large quantities of dust (including drywall, fireplace ash, or embers).
DO NOT use as an attachment to power tools for dust collection.
 - e) Smoking or burning objects (hot coals, cigarette butts, or matches)
 - f) Flammable or combustible materials (lighter fluid, gasoline, or kerosene)
 - g) Toxic materials (chlorine bleach, ammonia, or drain cleaner)
- 22. DO NOT** use in the following areas:
- a) Poorly lit areas
 - b) Wet or damp surfaces
 - c) Outdoor areas
 - d) Spaces that are enclosed and may contain explosive or toxic fumes or vapors (lighter fluid, gasoline, kerosene, paint, paint thinners, mothproofing substances, or flammable dust)
- 23.** Turn off the vacuum before plugging in or unplugging the charger.
- 24.** Turn off the vacuum before any adjustment, cleaning, maintenance or troubleshooting.
- 25.** During cleaning or routine maintenance, **DO NOT** cut anything other than hair, fibers, or string wrapped around the brushroll.
- 26.** Allow all filters to air-dry completely before replacing in the vacuum to prevent liquid from being drawn into electric parts.
- 27. DO NOT** modify or attempt to repair the vacuum or the battery yourself, except as indicated in this manual.
DO NOT use the battery or vacuum if it has been modified or damaged. Damaged or modified batteries may exhibit unpredictable behavior resulting in fire, explosion or risk of injury.
- 28.** Turn off all controls before unplugging.
- 29.** Always turn off this appliance before connecting or disconnecting motorized nozzle or hand tool.

BATTERY PACK

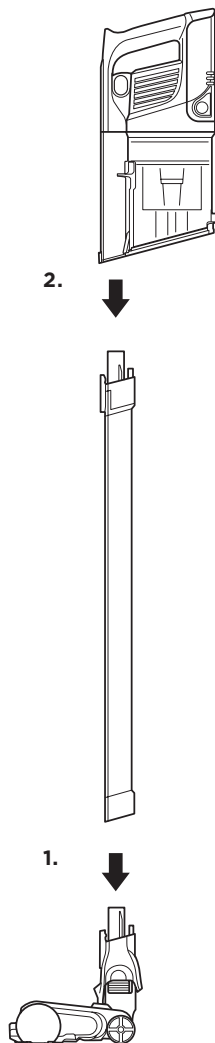
- 30.** The battery is the power source for the vacuum. Carefully read and follow all charging instructions.
- 31.** To prevent unintentional starting, ensure the vacuum is powered off before picking up or carrying the vacuum. **DO NOT** carry the appliance with your finger on the power switch.
- 32.** Use only Shark® charger DK33-288080H-B. Use of an incorrect charger may result in no charging, and/or unsafe conditions.
- 33.** Keep the battery away from all metal objects such as paper clips, coins, keys, nails, or screws. Shorting the battery terminals increases the risk of fire or burns.
- 34.** Under abusive conditions, liquid may be ejected from the battery. Avoid contact with this liquid, as it may cause irritation or burns. If contact occurs, flush with water. If liquid contacts eyes, seek medical help.
- 35.** Battery should not be stored at temperatures below 3°C (37.4°F) or above 104°F (40°C) to maintain long-term battery life.
- 36. DO NOT** charge battery at temperatures below 5°C (40°F) or above 104°C (104°F).
- 37.** Store the appliance indoors. **DO NOT** use or store it below 3°C (37.4°F). Ensure the appliance is at room temperature before operating.
- 38. DO NOT** expose the battery to fire or temperatures above 265°F (130°C) as it may cause explosion.

SAVE THESE INSTRUCTIONS

ASSEMBLY

1. Insert **Wand** into **Floor Nozzle**.
2. Insert **Handheld Vacuum** into wand.

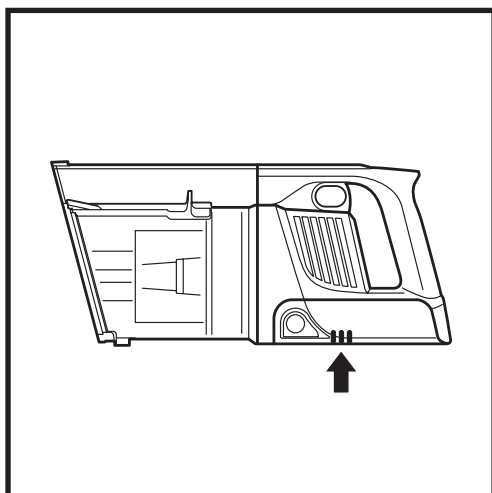
For proper operation, ensure all components are completely connected and clicked into place.



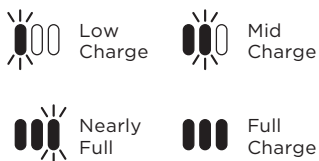
LI-ION BATTERY

The Lithium Ion Power Pack battery does not come fully charged. Prior to first use, charge completely. During first use, run the battery down until it is completely out of power. This will condition the battery.

LED BATTERY POWER AND CHARGING INDICATORS

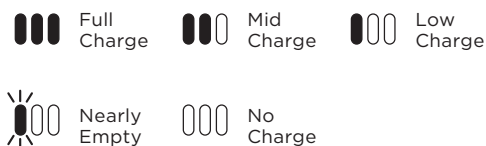


Charging



NOTE: Full charge takes approximately 3 hours.

In Use



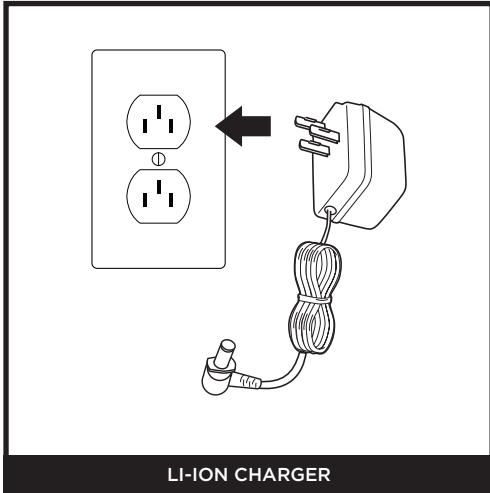
RECYCLING THE LI-ION BATTERY

This product uses a lithium-ion rechargeable and recyclable battery. When the battery no longer holds a charge, it should be removed from the vacuum and recycled. **DO NOT** incinerate or compost the battery.

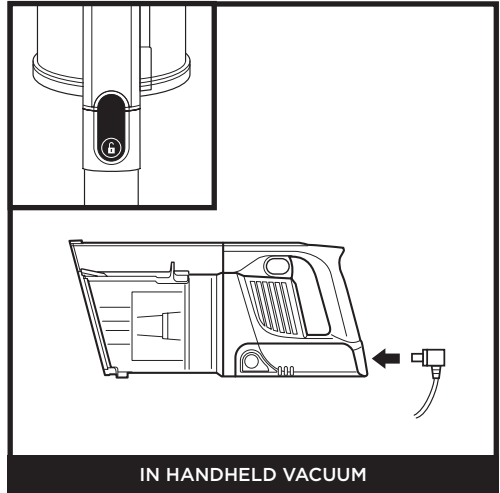
When your Lithium ION Power Pack Battery needs to be replaced, dispose of it or recycle it in accordance with local regulations. In some areas, it is illegal to place spent lithium-ion batteries in the bin or in a municipal solid waste stream. Return spent power packs to an authorised recycling center or to retailer for recycling. Contact your local recycling center for information on where to drop off the spent power pack.

CHARGING THE BATTERY

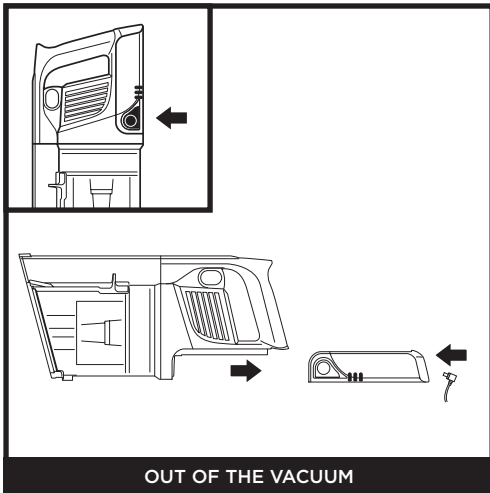
USING THE LI-ION CHARGER



Plug the **Li-ion Charger** into a wall outlet.

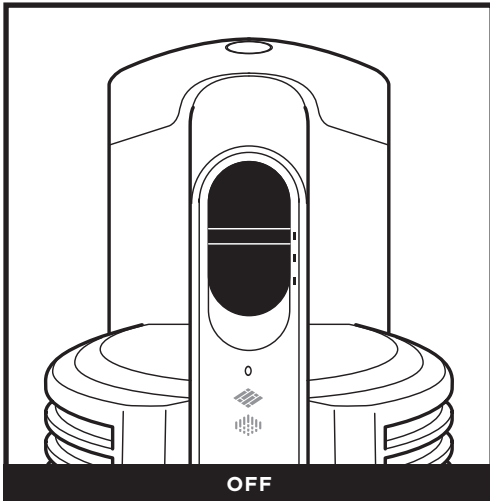


Remove the handheld vacuum from the wand by pressing the **Wand Release Button** and pulling up. Plug the charger into the charging port on the handheld vacuum.



To remove the battery, squeeze the **Battery Release Button** and slide backwards. Plug the charger into the charging port on the battery.

SETTINGS



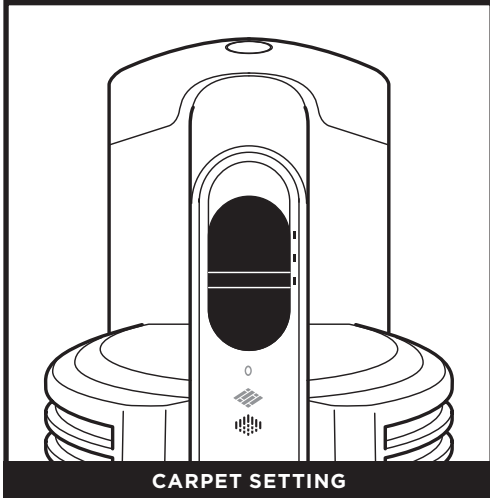
OFF

Slide switch to the bottom to turn off power. To begin vacuuming in **Standard Mode**, slide switch to the desired setting.



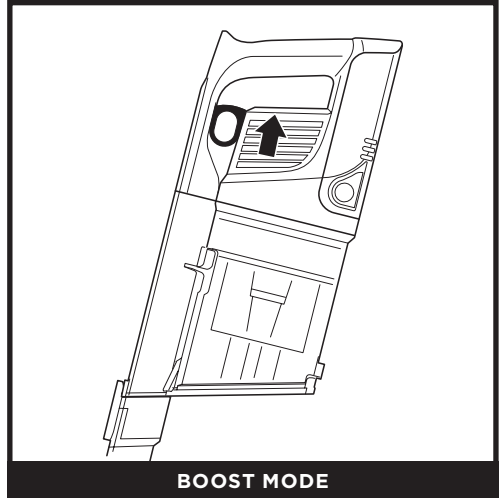
HARD FLOOR SETTING

Hard Floor/Small Area Rugs
The brushroll spins slowly to clean bare floors and small area rugs.



CARPET SETTING

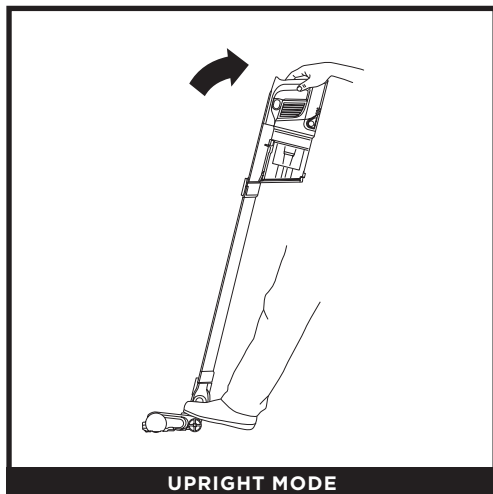
Carpet
The brushroll spins faster to pick up debris below the surface of your carpets.



BOOST MODE

For an added boost in power, pull the **Trigger** on the handheld vacuum. Release it to return to normal power.

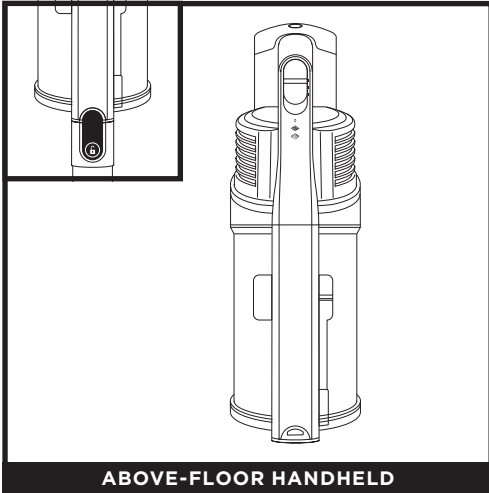
CLEANING MODES



To clean floors, place foot on floor nozzle and tilt handheld vacuum back.

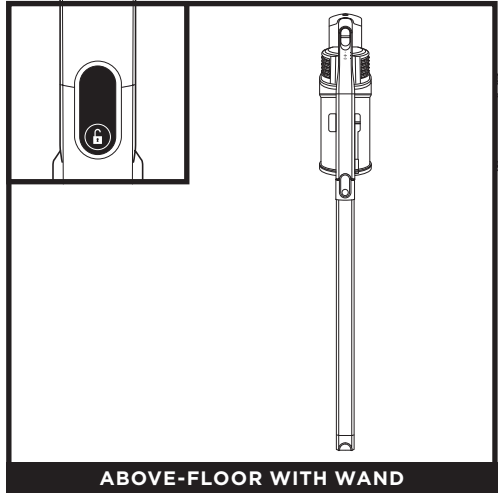
NOTE: Brushroll will only engage when the handheld vacuum is tilted back.

CLEANING MODES



ABOVE-FLOOR HANDHELD

Press the wand release button and lift the handheld vacuum off the wand. Attach an accessory for great cleaning on stairs, furniture, and other above-floor areas.



ABOVE-FLOOR WITH WAND

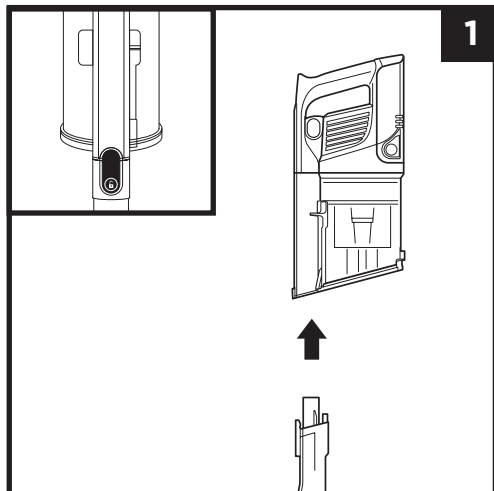
Stand the vacuum upright and press the nozzle release button located at the bottom of the wand, above the nozzle. Lift wand to detach.

Great for cleaning baseboards, ceiling fans, window sills, and other hard-to-access areas.

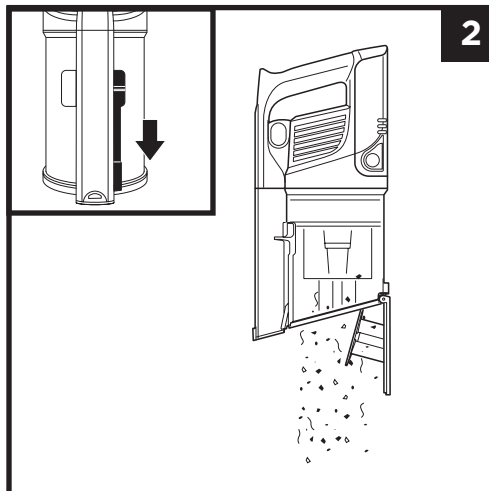
NOTE: All accessories are compatible with both the wand and the handheld vacuum.

MAINTAINING YOUR VACUUM

EMPTYING THE DUST CUP

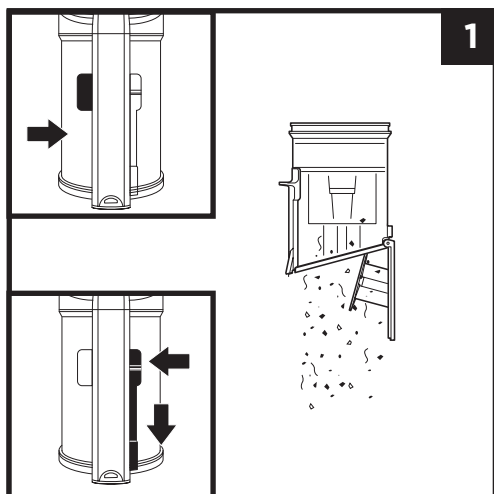


Press the wand release button to detach the handheld vacuum from the wand.



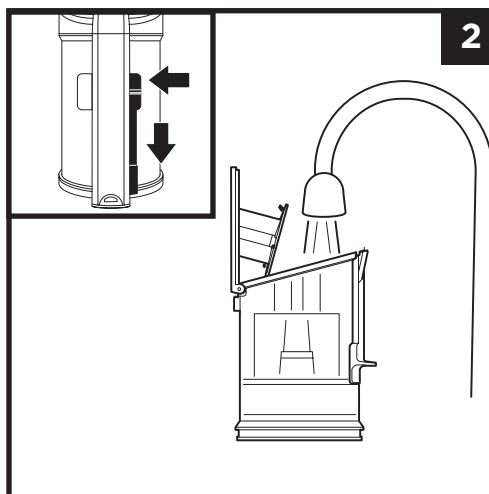
To empty the **Dust Cup** while it is attached to the handheld vacuum, position the dust cup over a trash receptacle and slide the **CleanTouch™ Dirt Ejector** slider forward.

REMOVING AND CLEANING THE DUST CUP



To remove the dust cup from the handheld vacuum, press the **CleanTouch™ Dust Cup Release** button near the handheld vacuum nozzle. Tilt the dust cup and lift off to remove.

To empty dust and debris, hold the dust cup over the trash, then slide the CleanTouch Dirt Ejector slider forward.



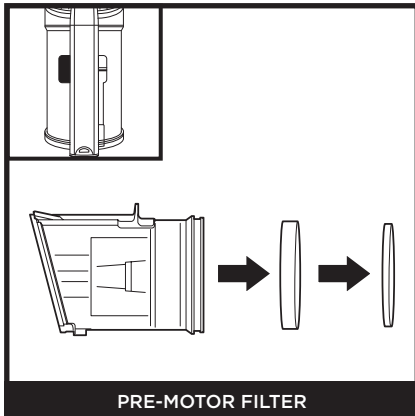
To clean the interior of the dust cup, rinse it with water. Place it on its side with the lid open to air-dry for at least 24 hours before reinstalling.

MAINTAINING YOUR VACUUM

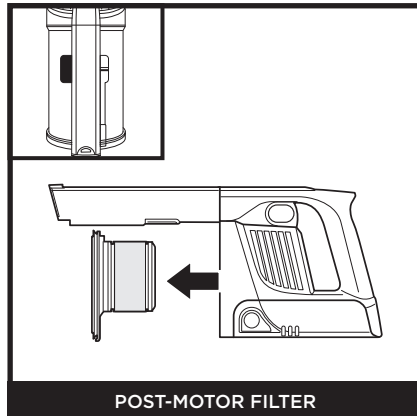
CLEANING THE FILTERS

To clean filters, rinse them with water only. Allow all filters to air-dry completely for at least 24 hours before reinstalling to prevent liquid from being drawn into electric parts. Clean the pre-motor filters at least once a month and post-motor or HEPA filter at least once a year. Tap off loose dirt between washes when needed. More frequent cleaning may sometimes be necessary with heavy use. Cleaning the filters regularly helps maintain your vacuum's cleaning performance.

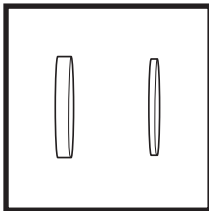
IMPORTANT: DO NOT use soap when cleaning the filters. Use water only.



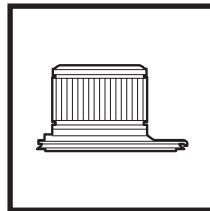
Press the dust cup release button and remove the dust cup. Pull the foam and felt filters out of the back of the dust cup.



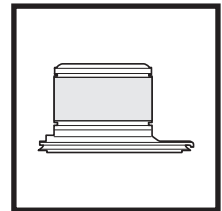
Remove the dust cup. Pull the post-motor filter out of the handheld vacuum.



Pre-Motor Foam and Felt Filter Kit



Post-Motor HEPA Filter



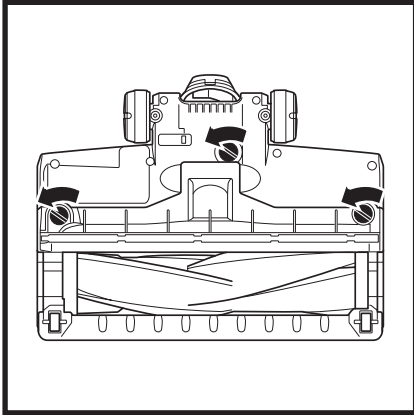
Post-Motor Filter

NOTE: Not all units come with a HEPA filter. See the enclosed Quick Start Guide for your unit's configuration. To order additional accessories, visit sharkaccessories.com.

MAINTENANCE

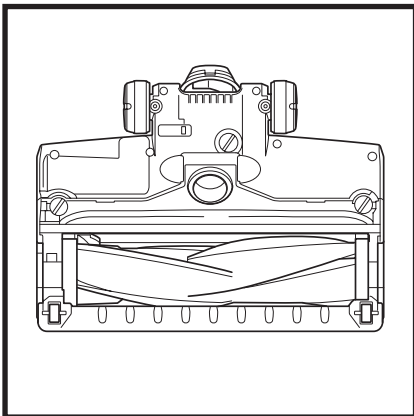
FLOOR NOZZLE

If you run over a hard or sharp object or notice a noise change while vacuuming, check for blockages or objects caught in the brushroll.



1. Turn off the vacuum.
2. Using a coin, turn locks counterclockwise to open, then lift off cover to access brushroll.
3. Clear airway of blockages.
4. Replace cover by sliding inserts into slots, then pressing down firmly on all sides before turning locks clockwise to close, until they click securely into place.

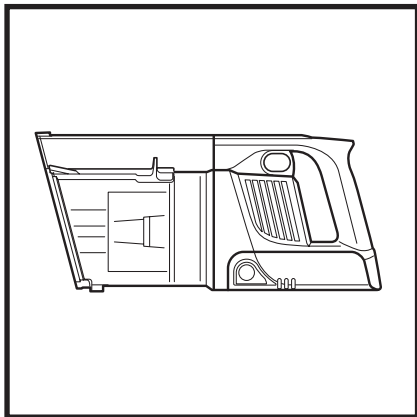
SELF-CLEANING BRUSHROLL



If any hair is wrapped around the brushroll, continue cleaning using the Carpet setting on a bare floor surface, a low-pile carpet, or a small area rug. If some fibers remain wrapped around the brushroll after continued use, carefully remove them.

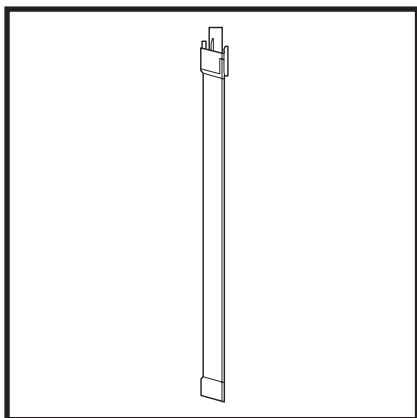
MAINTAINING YOUR VACUUM

CHECKING FOR BLOCKAGES



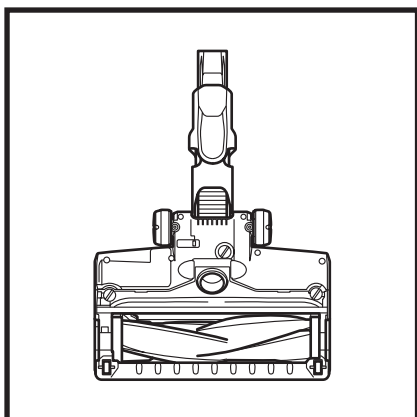
Checking for Blockages in the Handheld Vacuum:

1. Turn off vacuum.
2. Remove the handheld vacuum from the wand.
3. Check all intake openings to the dust cup and remove any debris or blockage.



Checking for Blockages in the Wand:

1. Turn off vacuum.
2. Remove the handheld vacuum and floor nozzle.
3. Check intake openings for blockages and debris.
4. Clear away debris and blockages.



Checking for Blockages in the Floor Nozzle:

1. Turn off vacuum.
2. Detach the wand.
3. Use the edge of a coin to open the three locks on the bottom of the floor nozzle.
4. Remove the cover and tilt back the neck of the floor nozzle.
5. Check the opening and remove any debris.
6. Replace cover by firmly pressing down on all sides and turning the locks clockwise.

TROUBLESHOOTING GUIDE

⚠ WARNING: To reduce the risk of shock and unintended operation, turn off power and remove the Lithium Ion Power Pack battery before servicing.

Vacuum is not picking up debris. No suction or light suction. Nozzle light is red.
(Refer to **Checking for Blockages** section for more information.)

- Check filters to see if they need cleaning. Follow instructions for rinsing and completely air-drying the filters before reinserting in the vacuum.
- Dust cup may be full; empty dust cup.
- Check floor nozzle for blockages; clear blockages if required.
- Remove any string, carpet fibers, or hair that may be wrapped around the brushroll.
- Check connection between handheld vacuum and wand for blockages; clear blockages if required. If the issue persists, please contact Customer Service.
- Check clog access in wand for any blockages and clear any debris.

Vacuum lifts area rugs.

- Make sure you are not engaging boost mode. Take care when vacuuming area rugs or rugs with delicately sewn edges.
- Turn off the unit to disengage the brushroll and restart with the power/selector switch.

Brushroll does not spin.

- Immediately turn off the vacuum. Remove any blockages before turning the vacuum back on. Make sure the handheld vacuum is tilted back far enough for the brushroll to engage. If the brushroll still does not spin, please contact Customer Service.
- If the floor nozzle has headlights and they are not illuminated, there is a connection issue between the handheld vacuum, wand, and nozzle. Try disconnecting and reattaching the pieces. If the headlights still do not illuminate, please contact Customer Service.

Vacuum turns off on its own.

There are several possible reasons for the vacuum turning off on its own, including blockages, battery issues, and overheating. If vacuum turns off on its own, perform the following steps:

1. Turn on the vacuum and check the battery indicator lights located on the handheld portion of the vacuum. If recharging is needed, make sure the power/selector switch on the vacuum is set to the Off position before connecting the charger.
2. Empty dust cup and clean filters (See Emptying the Dust Cup and Cleaning the Filters sections).
3. Check wand, accessories, and inlet openings and remove any blockages.
4. Allow unit and battery to cool for at least 45 minutes, until they return to room temperature.
5. Restart with power/selector switch.

NOTE: If vacuum still does not operate properly, contact Customer Service.

Battery Indicator Lights on handheld vacuum are flashing.

- Bottom LED light is flashing (Fig. A): Battery needs to be charged.
- Top and bottom LED lights are flashing (Fig. B): Battery temperature is not optimal, so charging is temporarily paused. Leave battery plugged in and charging will resume soon.
- If top 2 or bottom 2 LED lights are flashing (Fig. C, Fig. D), call Customer Service.



Fig. A

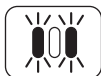


Fig. B



Fig. C

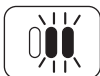
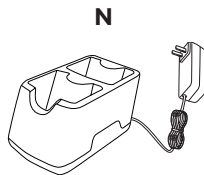
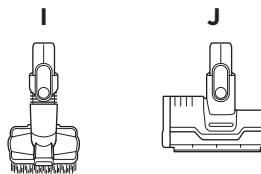
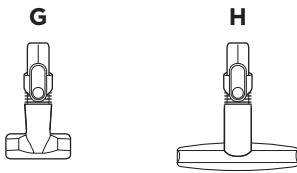
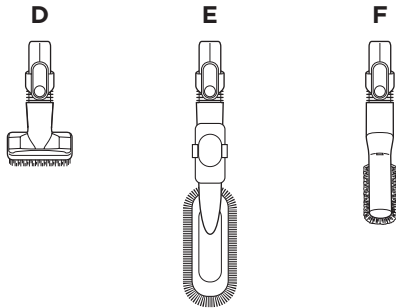
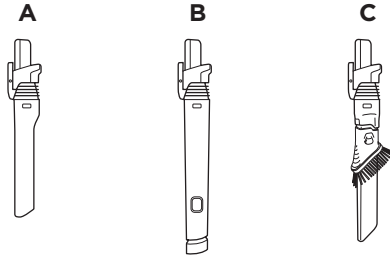


Fig. D

ADDITIONAL ACCESSORIES AVAILABLE ON SHARKACCESSORIES.COM

- A** 8" Crevice Tool
- B** 18" Flexi Crevice Tool
- C** Duster Crevice Tool
- D** Dusting Brush
- E** Multi-Angle Dusting Brush
- F** Anti-Allergen Dust Brush
- G** Upholstery Tool
- H** Wide Upholstery Tool
- I** Pet Multi-Tool
- J** Deep-Cleaning Motorized Pet Tool
- K** MultiFLEX™ Under-Appliance Wand
- L** Accessory Bag
- M** Li-Ion Charger
- N** Dual Li-Ion Charger
- O** Li-Ion Battery



NOTE: Not all accessories come with all units. Please see the enclosed Quick Start Guide for your unit's configuration. To order additional accessories, visit sharkaccessories.com.

Mann&Noble

LIMITED WARRANTY • VACUUM: THREE (3) YEARS • BATTERY: TWO (2) YEARS

If your vacuum becomes defective due to faulty material or workmanship within a period of 3 years and if your battery becomes defective due to faulty material or workmanship within a period 2 years from the date of purchase, we warrant to do the following:

For New Zealand Consumers: We will replace the product with a new product, free of charge, or repair the product at our cost, at our discretion.

For Australian Consumers: Our goods come with guarantees that cannot be excluded under the Australian Consumer Law. You are entitled to a replacement or refund for a major failure and for compensation for any other reasonably foreseeable loss or damage. You are also entitled to have the goods repaired or replaced if the goods fail to be of acceptable quality and the failure does not amount to a major failure.

Your warranty is subject to the following conditions:

DO NOT operate the appliance with a damaged plug or cord, or if the unit or battery has been dropped, damaged or dropped in water. To avoid the risk of electric shock, do not disassemble or attempt to repair the appliance on your own. If the charger cord is damaged, it must be replaced by a qualified electrician in order to avoid a hazard. Incorrect re-assembly or repair can cause a risk of electric shock or injury to persons when the appliance is used.

- The item has not been misused, abused, neglected, altered, modified or repaired by anyone.
- The item has been subjected to fair wear and tear.
- The item has not been used for trade, professional or hire purposes.
- The item has not sustained damage through foreign objects, substances or accident.

Your warranty does not cover:

- Components that are subject to natural wear and tear caused by normal use in accordance with operating instructions.
- Unauthorised/improper maintenance/handling or overload is excluded from this warranty.
- Any additional property that may be damaged due to a fault or misuse of the product and/or component.

For guarantee claims, you will need to submit a proof of purchase in the form of a valid receipt that displays date and place of purchase.

This warranty does not replace but is in addition to your statutory rights.

This warranty does not apply to accessories supplied with the item.

This warranty applies only to the original purchaser and may not be transferred.

Replacement items will be covered by the limited warranty for the balance of the warranty period from the date of the original purchase.

Please note:

Only the defective product or parts returned to place of purchase will be replaced under this warranty.

NOTES

NOTES

REGISTER YOUR PURCHASE



sharkclean.sg
sharkclean.my

RECORD THIS INFORMATION

Model Number: _____

Date Code: _____

Date of Purchase: _____
(Keep receipt)

Store of Purchase: _____

TIP: You can find the model and serial numbers on the QR code label on the bottom of the back of the handheld vacuum and battery.

TECHNICAL SPECIFICATIONS

Voltage: 21.6V 

PLEASE READ CAREFULLY AND KEEP FOR FUTURE REFERENCE.

This Owner's Guide is designed to help you keep your vacuum running at peak performance.

BATTERY REMOVAL AND DISPOSAL

This product uses a lithium-ion rechargeable and recyclable battery. When the battery no longer holds a charge, it should be removed from the vacuum and recycled. **DO NOT** incinerate or compost the battery.

When your lithium-ion battery needs to be replaced, dispose of it or recycle it in accordance with local ordinances or regulations. In some areas, it is illegal to place spent lithium-ion batteries in the trash or in a municipal solid waste stream. Return spent battery to an authorized recycling center or to retailer for recycling. Contact your local recycling center for information on where to drop off the spent battery.

Mann&Noble

Proudly distributed by

Mann&Noble Asia Pte. Ltd
600 North Bridge Road
#23-01 Parkview Square
Singapore 188778

SG +65 800 120 5111

MY +60 1800 803 915

Visit us at:

sharkclean.sg

sharkclean.my

PLEASE READ CAREFULLY AND KEEP FOR FUTURE REFERENCE.

This Owner's Guide is designed to help you get a complete understanding of your new Shark® cord-free vacuum.

Illustrations may differ from actual product. We are constantly striving to improve our products; therefore the specifications contained herein are subject to change without notice.

For SharkNinja U.S. Patent information, visit sharkninja.com/uspatents

© 2019 SharkNinja Operating LLC. SHARK is a registered trademarks of SharkNinja Operating LLC.
CLEANTOUCH and MULTIFLEX are trademarks of SharkNinja Operating LLC.

IZ102SM_IB_MP_Mv2_191210
PRINTED IN CHINA